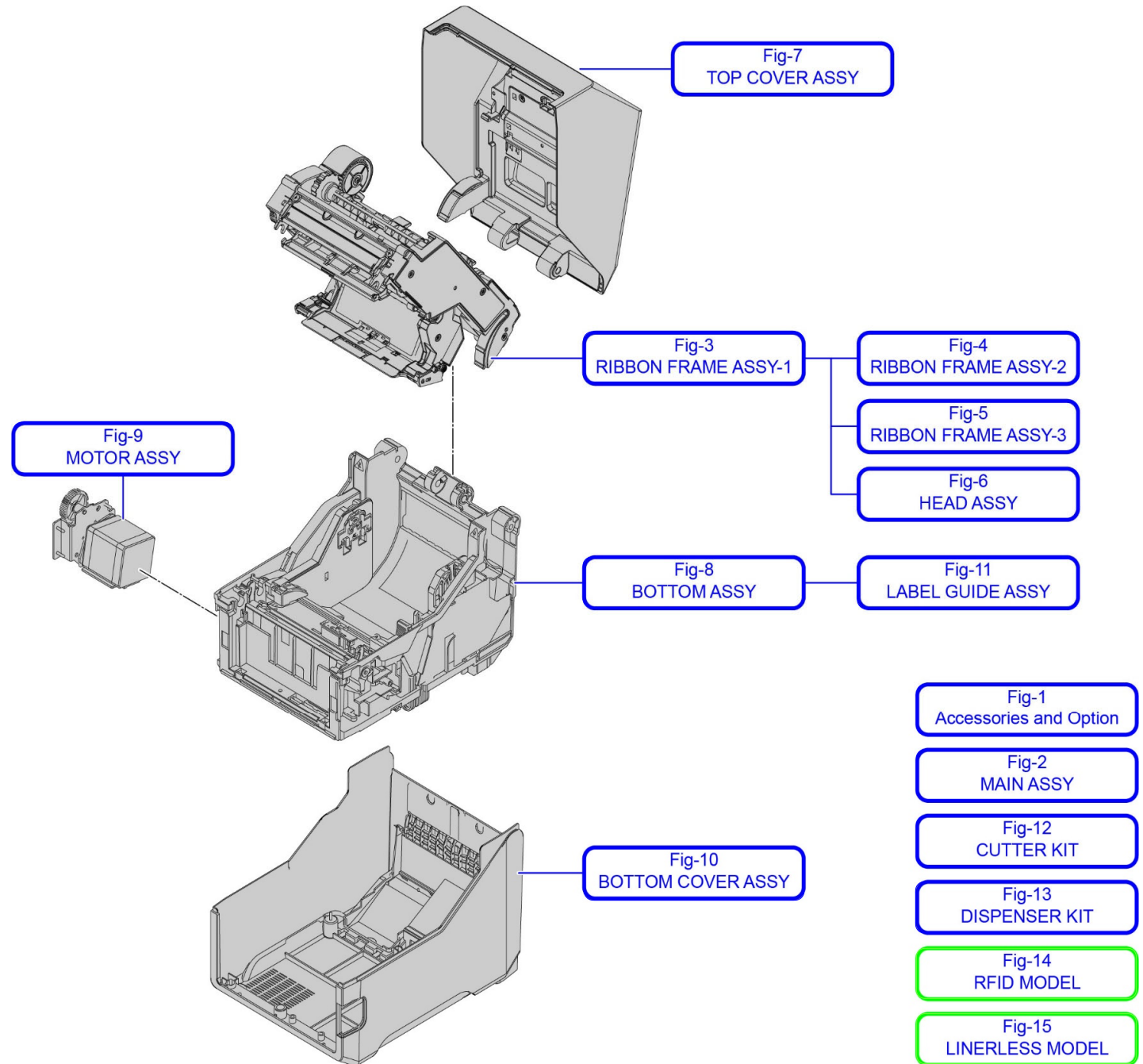




Service Parts

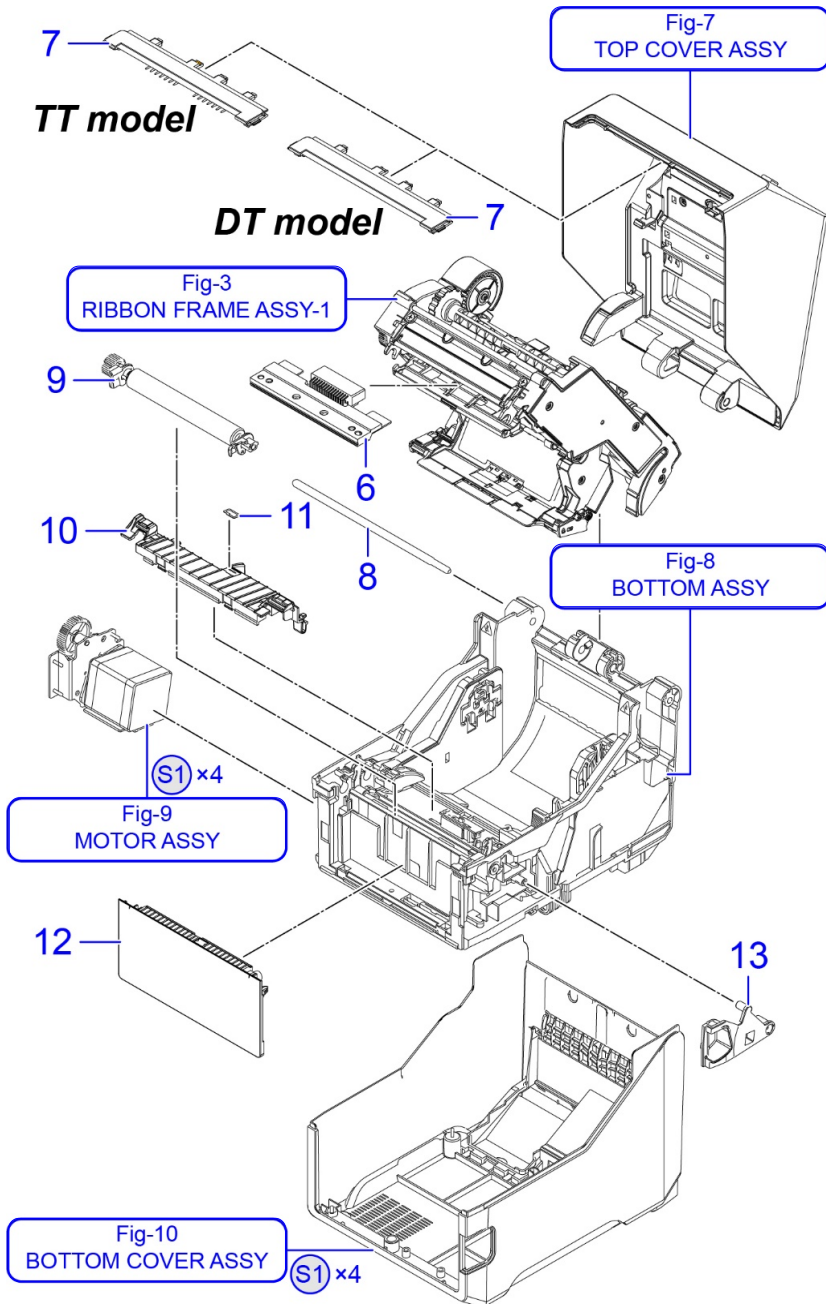
CT4-LX HC4-LX



Version : CT4-LX/HC4-LX-r02-13-12-19SP

© 2019 SATO Corporation.

All rights reserved.

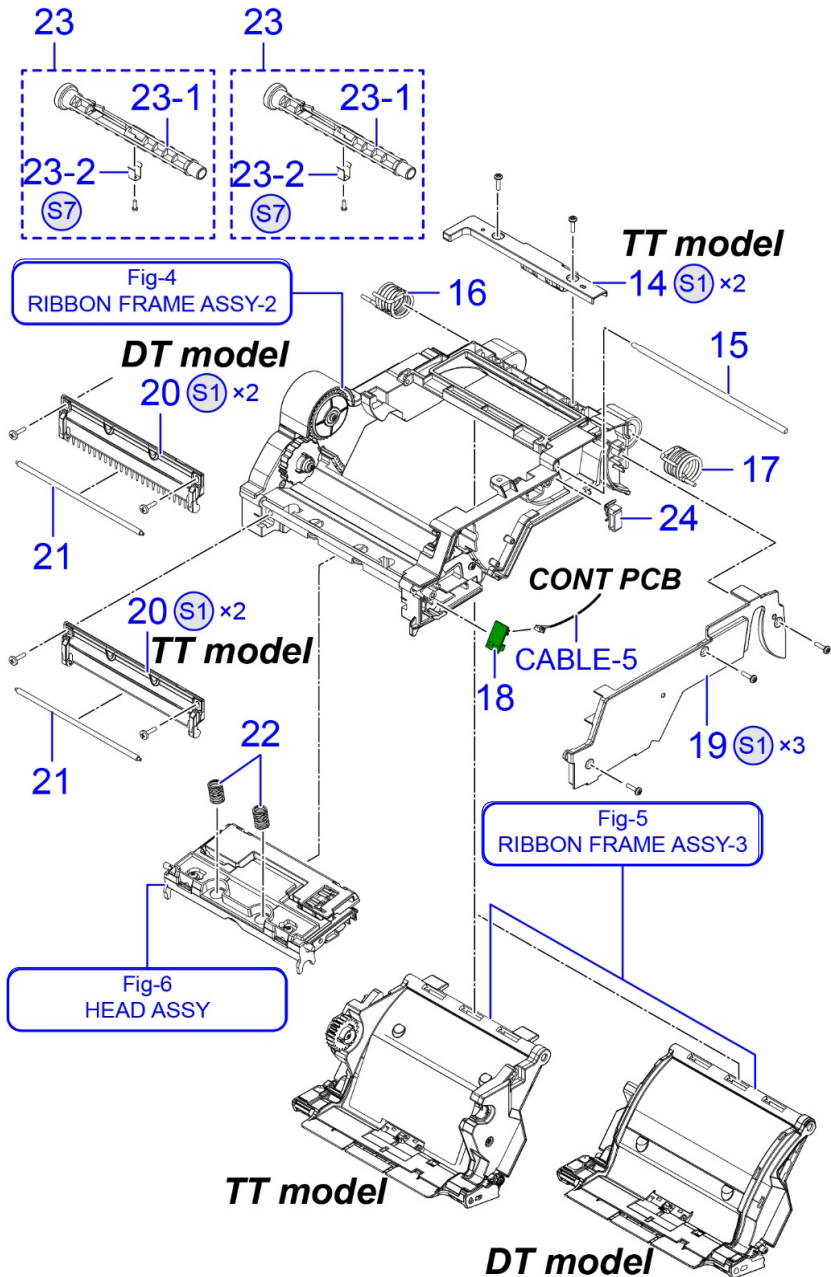


CT4-LX/HC4-LX Fig-2

MAIN ASSY

No.	FIRST CODE	DESCRIPTION	NOTE
6	G00673900	THERMAL HEAD (203dpi-4inch)-LF	*1, 203dpi
6	G00674000	THERMAL HEAD (305dpi-4inch)-LF	*1, 305dpi
7	P59232304	TOP FRONT PANEL(REG)	CT4-LX TT model
7	P59274204	TOP FRONT PANEL(HC)	HC4-LX TT model
7	R37539401	TOP FRONT PANEL(REG)	CT4-LX DT model
7	R37541101	TOP FRONT PANEL(HC)	HC4-LX DT model
8	P59234901	HINGE SHAFT	
9	R35351500	PLATEN ROLLER SA	*1
10	P58960403	INNER COVER A	
11	P61434100	SENSOR SHEET GAP	
12	R37520400	FRONT PANEL (REG) S/A	CT4-LX
12	R37520500	FRONT PANEL (HC) S/A	HC4-LX
13	P58961200	OPEN BUTTON	
Fig-3		RIBBON FRAME ASSY-1	
Fig-7		TOP COVER ASSY	
Fig-8		BOTTOM ASSY	
Fig-9		MOTOR ASSY	
S1	MH0301021	PAN HEAD P TIGHT SCREW	
Fig-10		BOTTOM COVER ASSY	
S1	MH0301021	PAN HEAD P TIGHT SCREW	

NOTE *1: Recommended Spare parts

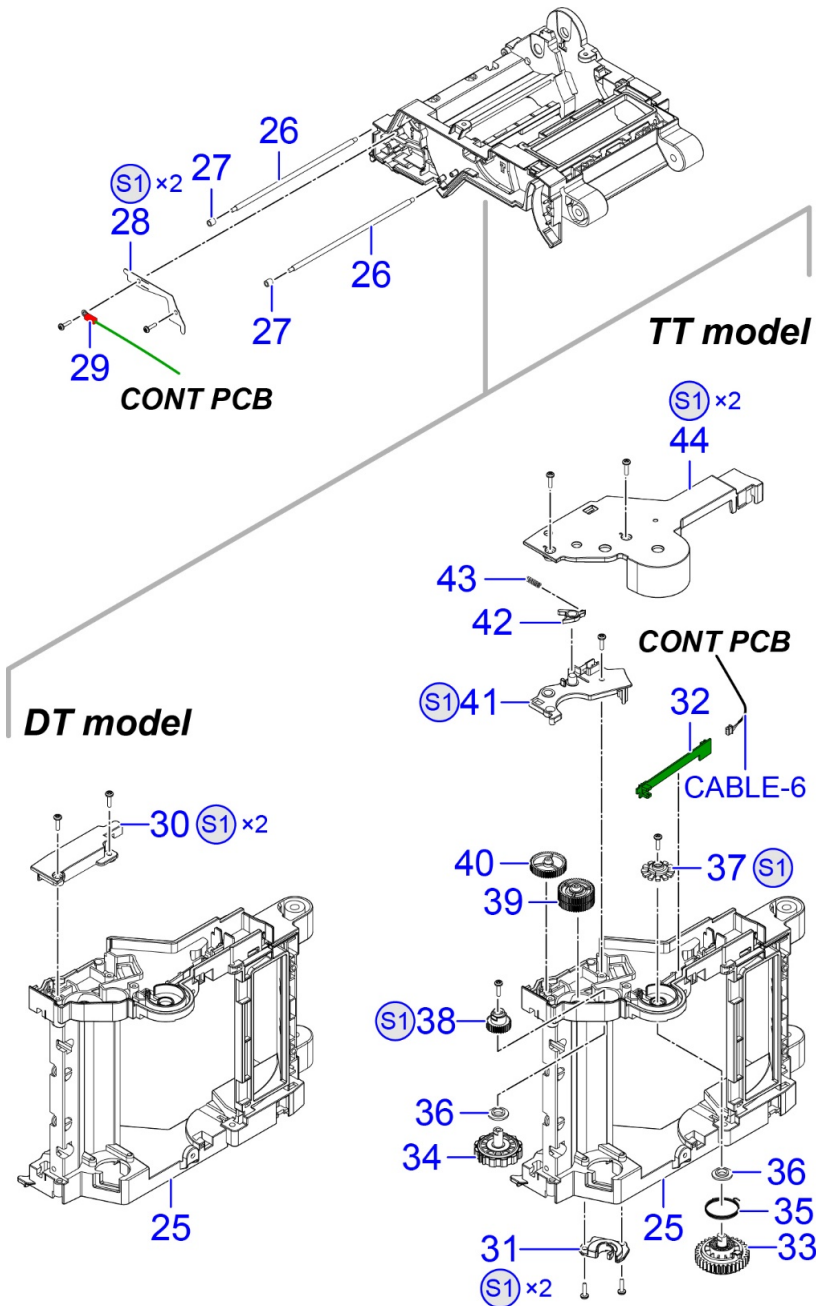


RIBBON FRAME ASSY-1

No.	FIRST CODE	DESCRIPTION	NOTE
14	P59372101	HINGE UNIT RIBBON	TT model
S1	MH0301021	PAN HEAD P TIGHT SCREW	TT model
15	P59615101	RIBBON COVER SHAFT	
16	P58974002	SPRING L COVER OPEN	
17	P58974102	SPRING R COVER OPEN	
18	R36114301	CT4LX-COVER-OP PCB ASSY-LF	
CABLE-5	R35646300	COVER-OP SENSOR CABLE SET-LF	
19	P58968103	RIBBON FRAME COVER	
S1	MH0301021	PAN HEAD P TIGHT SCREW	
20	P58981904	R ADJUST PLATE	TT model
20	R38855200	R ADJUST PLATE SET (DT)	DT model
S1	MH0301021	PAN HEAD P TIGHT SCREW	
21	P59615301	RIBBON SHAFT B	
22	P58977801	SPRING HEAD	
23	R36101101	RIBBON CORE ADAPTER ASSY	*1, TT model
23-1	P59234102	CORE ADAPTER	TT model
23-2	P19970002	RATCH PLATE	TT model
S7	MH2200522	BIND_HEAD_P_TIGH-2641	TT model
24	P59556900	CABLE CLAMP	
Fig-4		RIBBON FRAME ASSY-2	
Fig-5		RIBBON FRAME ASSY-3	
Fig-6		HEAD ASSY	

NOTE

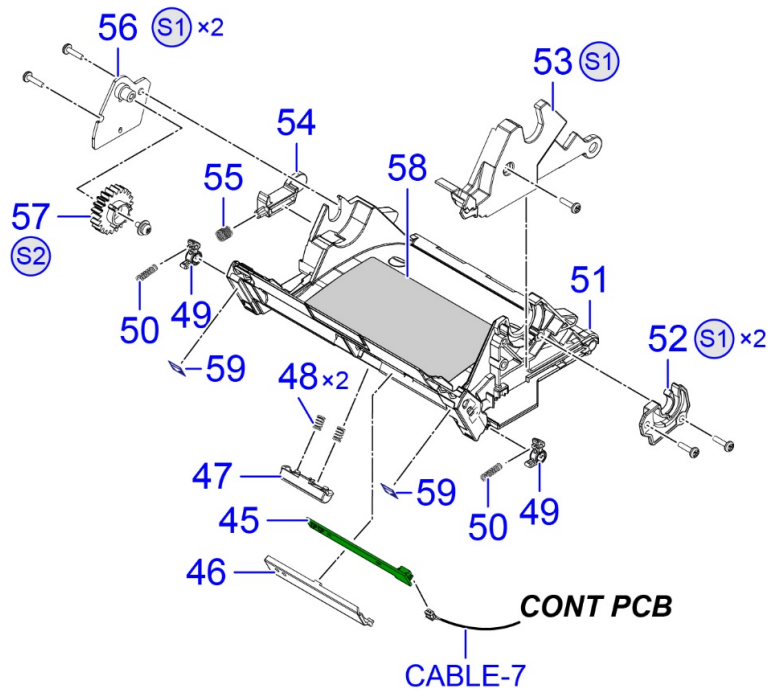
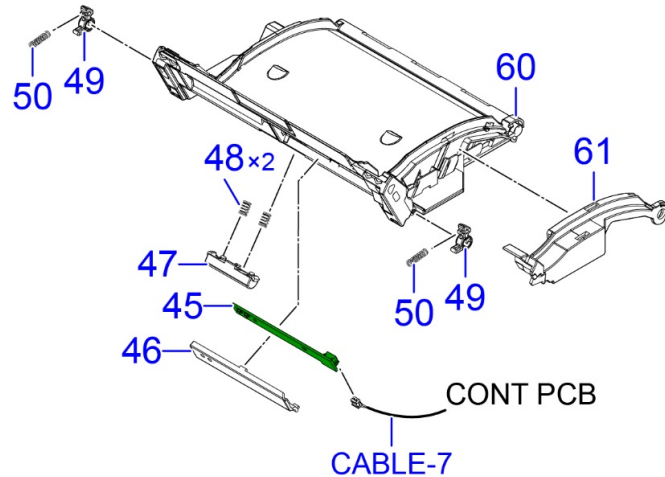
*1: Recommended Spare parts

RIBBON FRAME ASSY-2


No.	FIRST CODE	DESCRIPTION	NOTE
25	P58967806	RIBBON FRAME	
26	P58967900	RIBBON SHAFT	
27	P49744000	COLLAR (3*5*5)	
28	P59232800	RIBBON SHAFT PLATE	
29	R35649100	FG CABLE SET-LF	
S1	MH0301021	PAN HEAD P TIGHT SCREW	
30	P59555501	TOP FRAME COVER (DT)	DT model
S1	MH0301021	PAN HEAD P TIGHT SCREW	DT model
31	P59232901	RIBBON STOPPER A	TT model
S1	MH0301021	PAN HEAD P TIGHT SCREW	TT model
32	R36114201	CT4LX-RIBBON PCB ASSY-LF	*1, TT model
CABLE-6	R35647601	RIBBON SENSOR CABLE SET-LF	TT model
33	R37519700	TORQUE LIMITER U SUB	*1, TT model
34	R37519800	TORQUE LIMITER R SUB	*1, TT model
35	P59501901	TORSION SPRING	TT model
36	P32654010	RIBBON BUSH	TT model
37	P58976100	ENCODER	*1, TT model
S1	MH0301021	PAN HEAD P TIGHT SCREW	TT model
38	P59235201	GEAR IDLE D	*1, TT model
S1	MH0301021	PAN HEAD P TIGHT SCREW	TT model
39	R37519900	GEAR IDLE SUB	*1, TT model
40	P59242000	GEAR IDLE A	*1, TT model
41	P59242301	RIBBON RACK U	TT model
S1	MH0301021	PAN HEAD P TIGHT SCREW	TT model
42	P32829010	GEAR STOPPER	TT model
43	P58975301	SPRING GEAR STOPPER	TT model
44	P58976303	GEAR COVER	TT model
S1	MH0301021	PAN HEAD P TIGHT SCREW	TT model

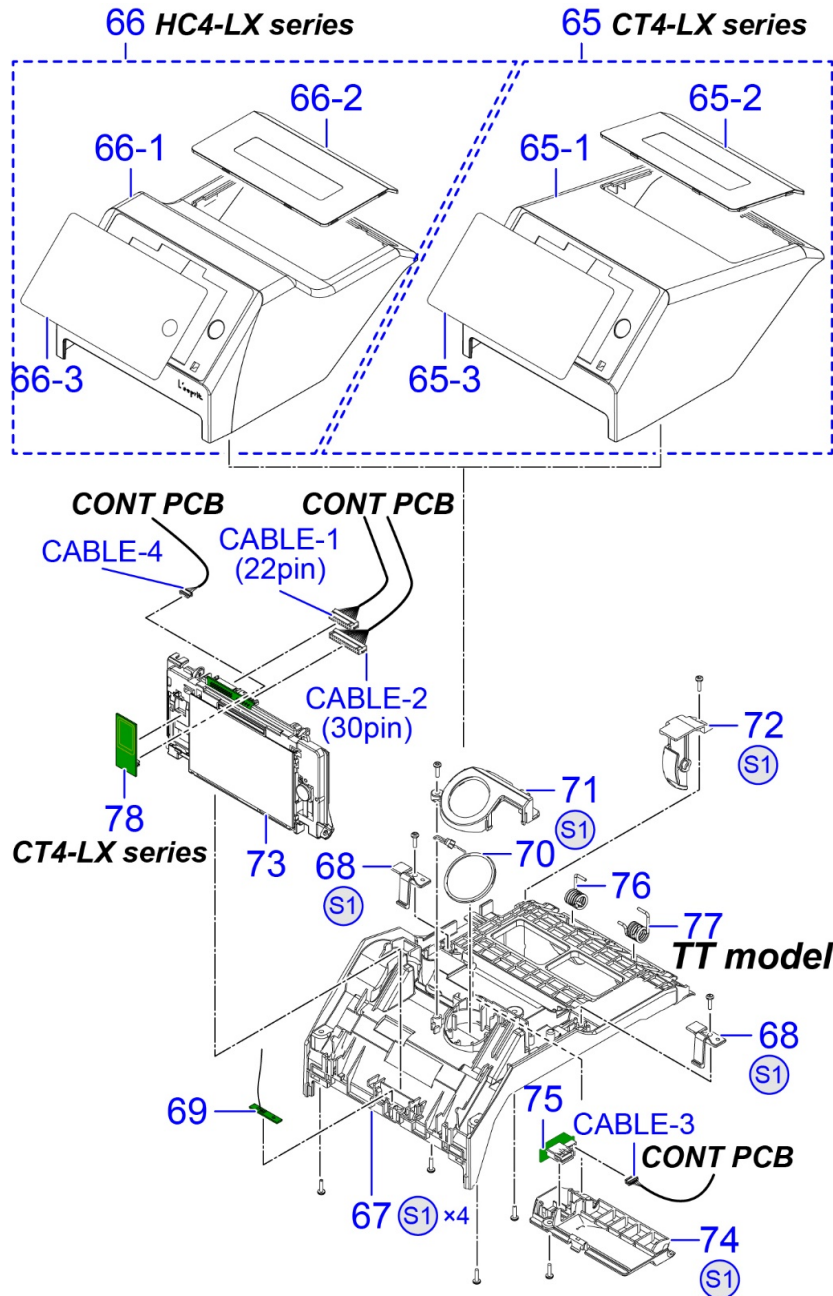
CT4-LX/HC4-LX Fig-4

NOTE *1: Recommended Spare parts

RIBBON FRAME ASSY-3
TT model

DT model


No.	FIRST CODE	DESCRIPTION	NOTE
45	R36113901	CT4LX-GAP-D PCB ASSY-LF	*1
CABLE-7	R35646801	GAP-D SENSOR CABLE SET-LF	
46	P59241202	GAP U HOLDER	
47	P59352602	LABEL DAMPER	
48	P59616801	DAMPER SP	
49	P59499101	OPEN COVER LOCK	
50	P59616702	OPEN COVER SPRING	
21	P59233303	RIBBON OPEN COVER	TT model
52	P59232901	RIBBON STOPPER A	TT model
S1	MH0301021	PAN HEAD P TIGHT SCREW	TT model
53	P59234003	GAP CABLE COVER (TT)	TT model
S1	MH0301021	PAN HEAD P TIGHT SCREW	TT model
54	P59350000	GEAR STOPPER U	TT model
55	P59376100	GEAR STOPPER U SP	TT model
56	R35805801	RIBBON U FRAME SET	TT model
S1	MH0301021	PAN HEAD P TIGHT SCREW	TT model
57	P59234800	CORE ADAPTER GEAR	*1, TT model
S2	MD4300622	PAN SCREW SW+WL	TT model
58	Q05134701	STICKER (RIBBON)	TT model
59	Q05212800	STICKER (RIBBON OPEN)	TT model
60	P59234403	SENSOR COVER (DT)	DT model
61	P59555002	GAP CABLE COVER (DT)	DT model

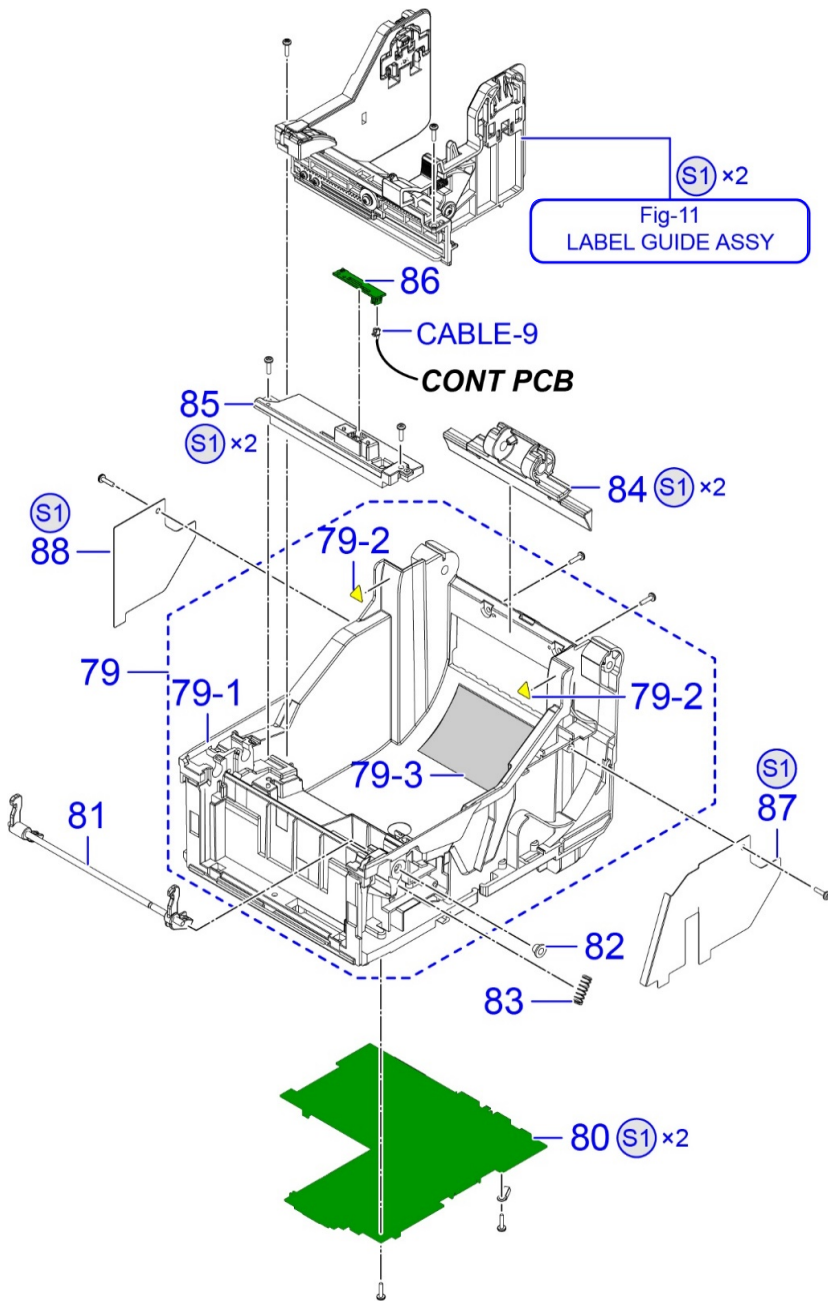
NOTE
***1: Recommended Spare parts**

TOP COVER ASSY


CT4-LX/HC4-LX Fig-7

No.	FIRST CODE	DESCRIPTION	NOTE
65	R37519100	TOP COVER (REG) S/A	CT4-LX
65-1	R36219104	TOP COVER (REG) SILK	CT4-LX
65-2	P59235100	WINDOW (REG)	CT4-LX
65-3	P59235005	TOP SHEET REG	CT4-LX
66	R37519200	TOP COVER (HC) S/A	HC4-LX
66-1	R36043104	TOP COVER (HC) SILK	HC4-LX
66-2	P58960201	WINDOW (HC)	HC4-LX
66-3	P59615405	TOP SHEET HC	HC4-LX
67	P58957904	TOP FRAME	
S1	MH0301021	PAN HEAD P TIGHT SCREW	
68	P59350402	RIBBON COVER HOOK	
S1	MH0301021	PAN HEAD P TIGHT SCREW	
69	R36114101	CT4LX-TOP-D PCB ASSY-LF	*1
70	K00613900	SPEAKER-LF	
71	P59350300	SPEAKER HOLDER	
S1	MH0301021	PAN HEAD P TIGHT SCREW	
72	P59498003	SWING STOPPER L	
S1	MH0301021	PAN HEAD P TIGHT SCREW	
73	R35347200	TOP DISPLAY ASSY	*1
CABLE-1	R35647302	KB SIGNAL CABLE_1SET-LF	KB PCB/22pin
CABLE-2	R35647402	KB SIGNAL CABLE_2SET-LF	KB PCB/30pin
74	P59232202	TOP USB COVER	
S1	MH0301021	PAN HEAD P TIGHT SCREW	
75	R36113502	CT4LX-USB-SIM PCB ASSY-LF	*1
CABLE-3	R35649201	USB CABLE SET-LF	SIM PCB
76	P59614002	TOP HINGE SP L	
77	P59612102	TOP HINGE SP R	TT model
78	R36113601	CT4LX-NFC PCB ASSY-LF	*1, CT4-LX
CABLE-4	R35647501	NFC CABLE SET-LF	CT4-LX

NOTE *1: Recommended Spare parts

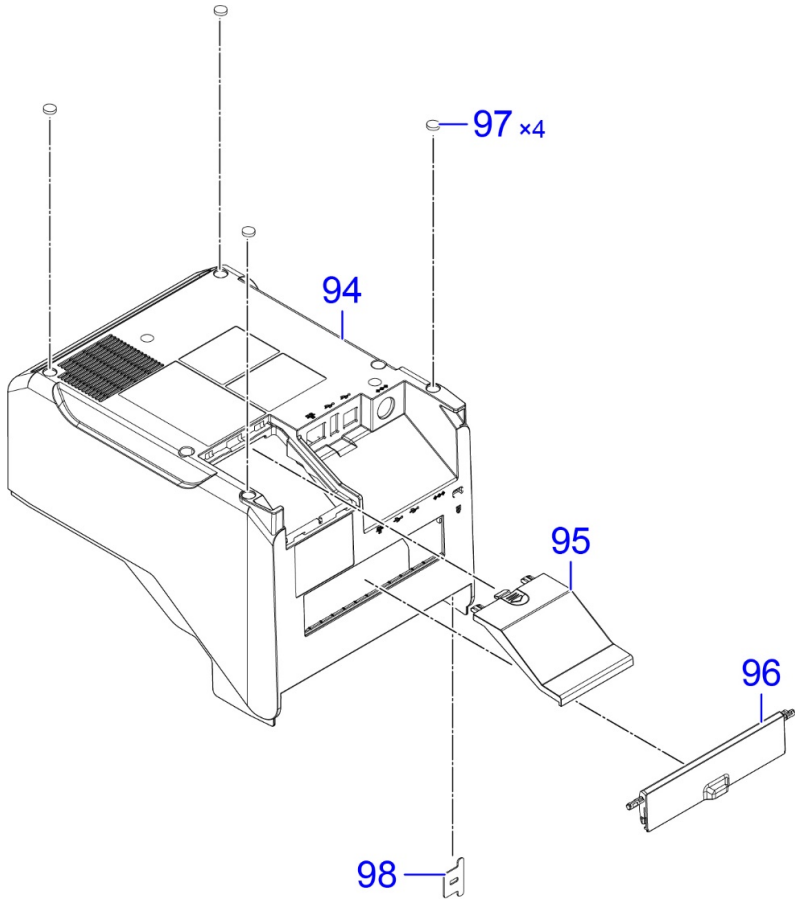
BOTTOM ASSY


CT4-LX/HC4-LX Fig-8

No.	FIRST CODE	DESCRIPTION	NOTE
79	R37519401	BOTTOM FRAME S/A	
79-1	P58960708	BOTTOM FRAME	
79-2	Q04790600	CAUTION (COVER CLOSE)	
79-3	Q05104502	STICKER (ROUTE)	
80	R35965121	CT4LX-CONT PCB ASSY-LF	*1
S1	MH0301021	PAN HEAD P TIGHT SCREW	
81	R35347702	HEAD LOCK ARM SET	
82	PT9691200	OILESS BEARING	
83	P58961302	OPEN LEVER SPRING	
84	P59372000	HINGE UNIT BASE	
S1	MH0301021	PAN HEAD P TIGHT SCREW	
85	P59506701	GAP D HOLDER	
S1	MH0301021	PAN HEAD P TIGHT SCREW	
86	R36113801	CT4LX-GAP-TR PCB ASSY-LF	*1
CABLE-9	R35646901	GAP-TR SENSOR CABLE SET-LF	
87	P61073900	SHEET RH (WIRING)	
S1	MH0301021	PAN HEAD P TIGHT SCREW	
88	P59500800	SHEET (WIRING)	
S1	MH0301021	PAN HEAD P TIGHT SCREW	
Fig-11	R35347901	LABEL GUIDE ASSY	*1

NOTE *1: Recommended Spare parts

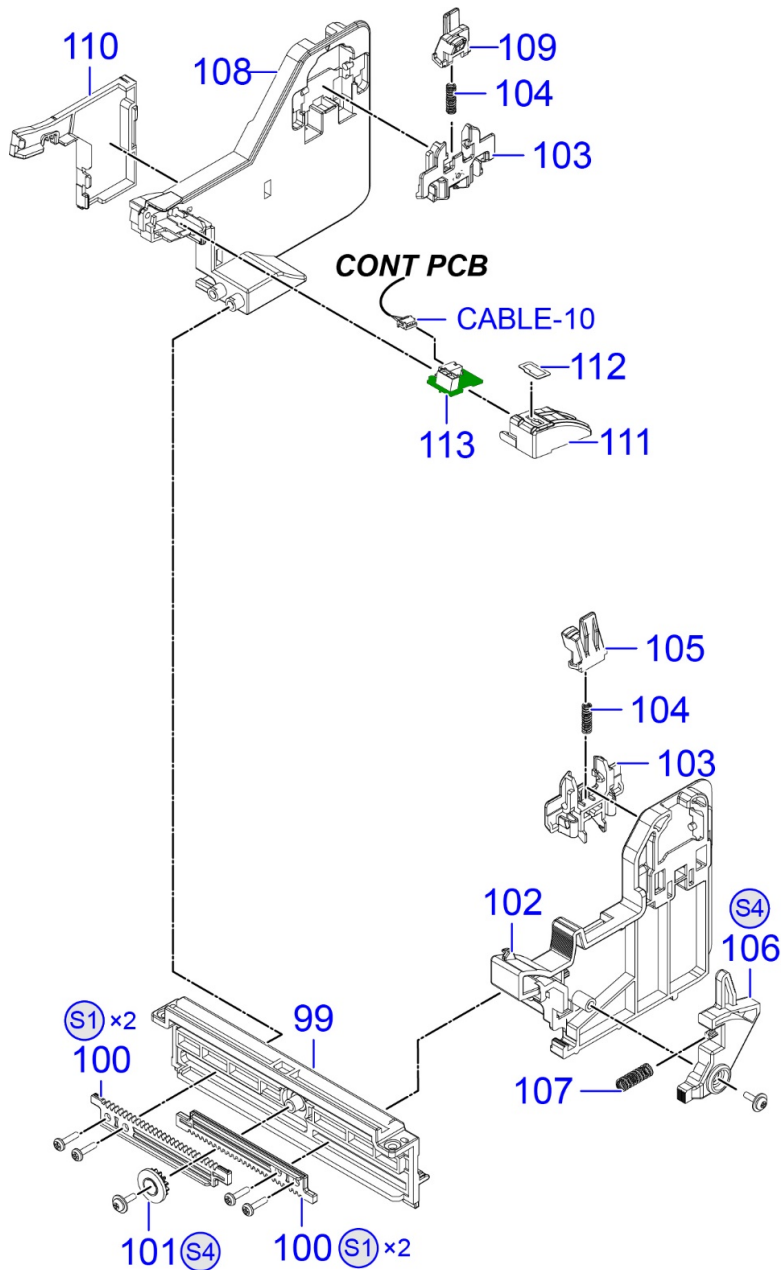
BOTTOM COVER ASSY



No.	FIRST CODE	DESCRIPTION	NOTE
94	P58964005	BOTTOM COVER (REG)	CT4-LX
94	P59278604	BOTTOM COVER (HC)	HC4-LX
95	P58965401	IF COVER	
96	P58964202	FAN FOLD COVER (REG)	CT4-LX
96	P59278701	FAN FOLD COVER (HC)	HC4-LX
97	P51947000	RUBBER FOOT	
98	P58004001	PLATE (SECURITY)	CT4-LX

CT4-LX/HC4-LX Fig-10

LABEL GUIDE ASSY

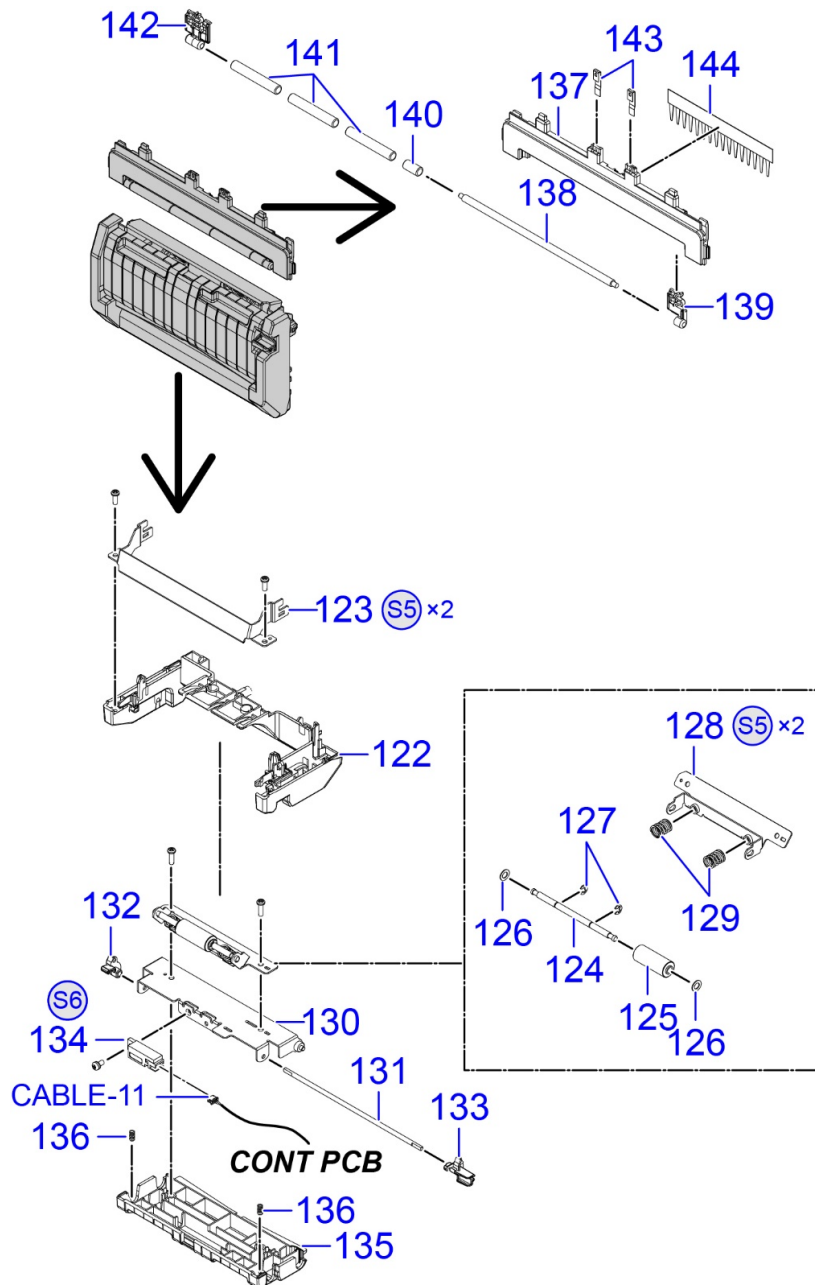


No.	FIRST CODE	DESCRIPTION	NOTE
99	P58963501	RACK CASE	
100	P58963401	LABEL GUIDE RACK	
S1	MH0301021	PAN HEAD P TIGHT SCREW	
101	PJ0A20500	GEAR (L.GUIDE)	
S4	MH9300822	PAN HEAD P TIGHT SCREW	
102	P58962803	LABEL GUIDE R	
103	P58962303	FLAP BASE	
104	P58962400	FLAP PIN SP	
105	P59488201	FLAP PIN B	
106	P58963200	LOCK LEVER	
S4	MH9300822	PAN HEAD P TIGHT SCREW	
107	P58962700	SPRING LOCK LEVER	
108	P58962103	LABEL GUIDE L	
109	P58962201	FLAP PIN A	
110	P58963302	LABEL GUIDE L COVER	
111	P58962601	L-GUIDE SENSOR COVER A	
112	P58960600	SENSOR SHEET	
113	R36113701	CT4LX-IM PCB ASSY-LF	*1
CABLE-10	R35647200	IM SENSOR CABLE SET-LF	

CT4-LX/HC4-LX Fig-11

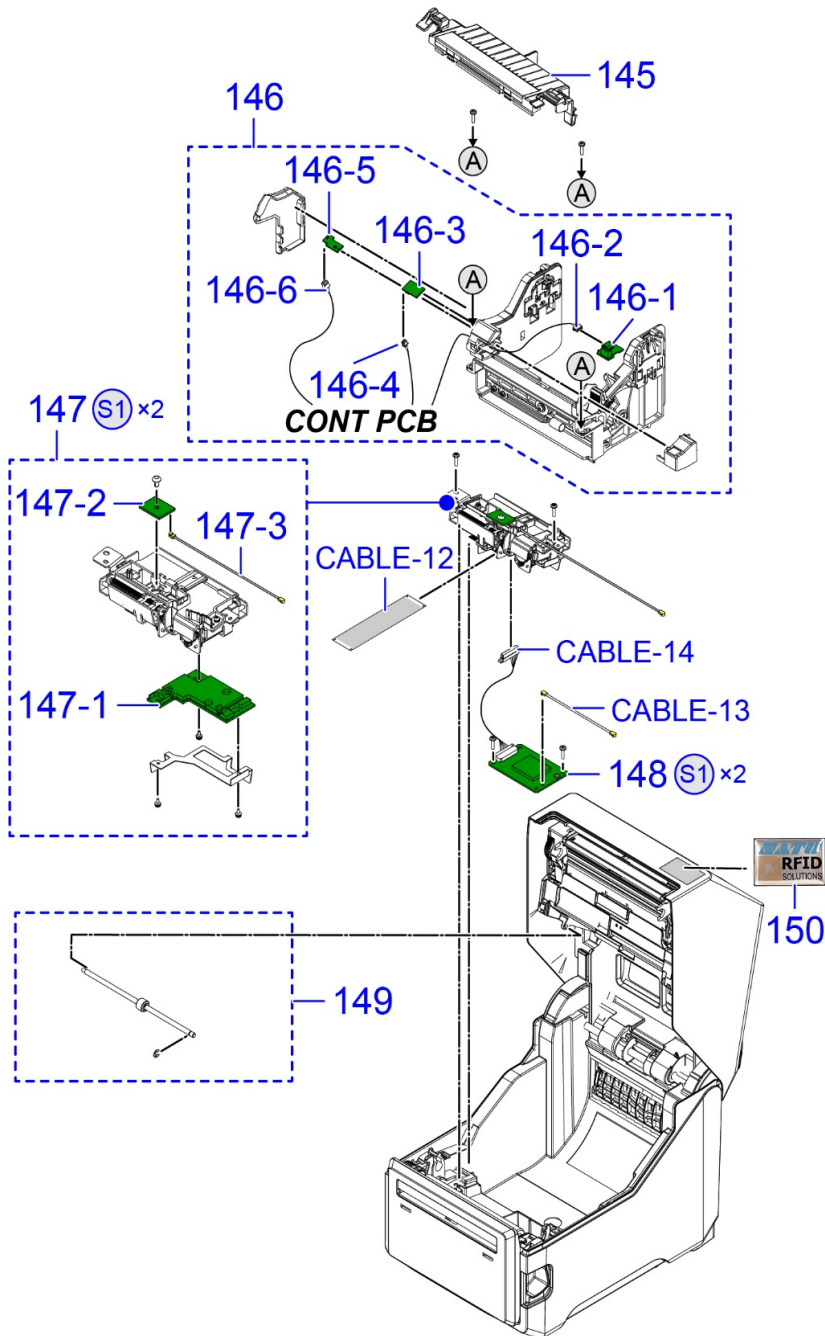
NOTE *1: Recommended Spare parts

DISPENSER KIT



CT4-LX/HC4-LX Fig-13

No.	FIRST CODE	DESCRIPTION	NOTE
122	P58984104	DISPENSE COVER	
123	P58984202	DIS PLATE	
S5	MH0300822	PAN HEAD P TIGHT SCREW	
124	P59678002	DP ROLLER SHAFT	
125	P60433901	DP ROLLER	
126	NA1040022	PLAIN WASHER	
127	ND0030030	E SNAP RING	
128	P58982504	DIS ROLLER BR	
S5	MH0300822	PAN HEAD P TIGHT SCREW	
129	P60070200	DIS SPRING	
130	R35364302	DIS FRAME SET	
131	P58983800	DIS OPEN LEVER SHAFT	
132	P58983401	DISPENSE OPEN LEVER L	
133	P58983702	DISPENSE OPEN LEVER R	
134	F05171900	PHOTO INTER RUPTER	
S6	MD3300622	PAN HEAD P TIGHT SCREW	
CABLE-11	R35646601	DISP UNIT CABLE SETLF	
135	P58983104	DISPENSE OPEN COVER	
136	P58983900	DIS OPEN LEVER SP	
137	P59556304	TOP FRONT PANEL DIS	
138	P59553001	SHAFT (DIS ROLLER)	
139	P59554601	DIS ROLLER HOLDER R	
140	R24931000	CUT COLLAR (DIS)	
141	P23891010	COLLAR DIS ROLLER (ROHS)	
142	P59554701	DIS ROLLER HOLDER L	
143	P60878100	FG PLATE	
144	P60989900	ANTI STATIC SHEET	

RFID model


No.	FIRST CODE	DESCRIPTION	NOTE
145	R38865100	INNER COVER C (RFID UHF) SET	
146	R39243600	LABEL GUIDE ASSY(RFID) SA	
146-1	R36113701	CT4LX-IM PCB ASSY-LF	*1
146-2	R35647200	IM SENSOR CABLE SET-LF	
146-3	R36497300	CT4LX-RFID-GAP-TR PCB ASSY-LF	*1
146-4	R35646901	GAP-TR SENSOR CABLE SET-LF	
146-5	R36497200	CT4LX-RFID-GAP-D PCB ASSY-LF	*1
146-6	R36405202	RFID-GAP-D SENSOR CABLE SET-LF	
147	R39243500	RFID(UHF)ASSY SA	
147-1	R36114903	CT4LX-RFID-SRA PCB ASSY-LF	*1
147-2	R36499100	UHF SRA COUPLER-SET-LF	*1
147-3	R39100100	COAXIAL CABLE SET(200)-LF	
CABLE-12	R36425100	RFID SRA FFC CABLE SET-LF	
148	R36114803	CT4LX-RFID-M6E-NANO PCB ASSY-LF	*1
S1	MH0301021	PAN HEAD TIGHT SCREW	
CABLE-13	H03459900	COAXIAL CABLE(150)-LF	
CABLE-14	R38841401	UHF RFID SRA SIGNAL CABLE SET-LF	
149	R39243400	LABEL GUIDE SHAFT S/A	
150	Q01644000	SATO RFID SOLUTIONS STICKER	

NOTE *1: Recommended Spare parts

