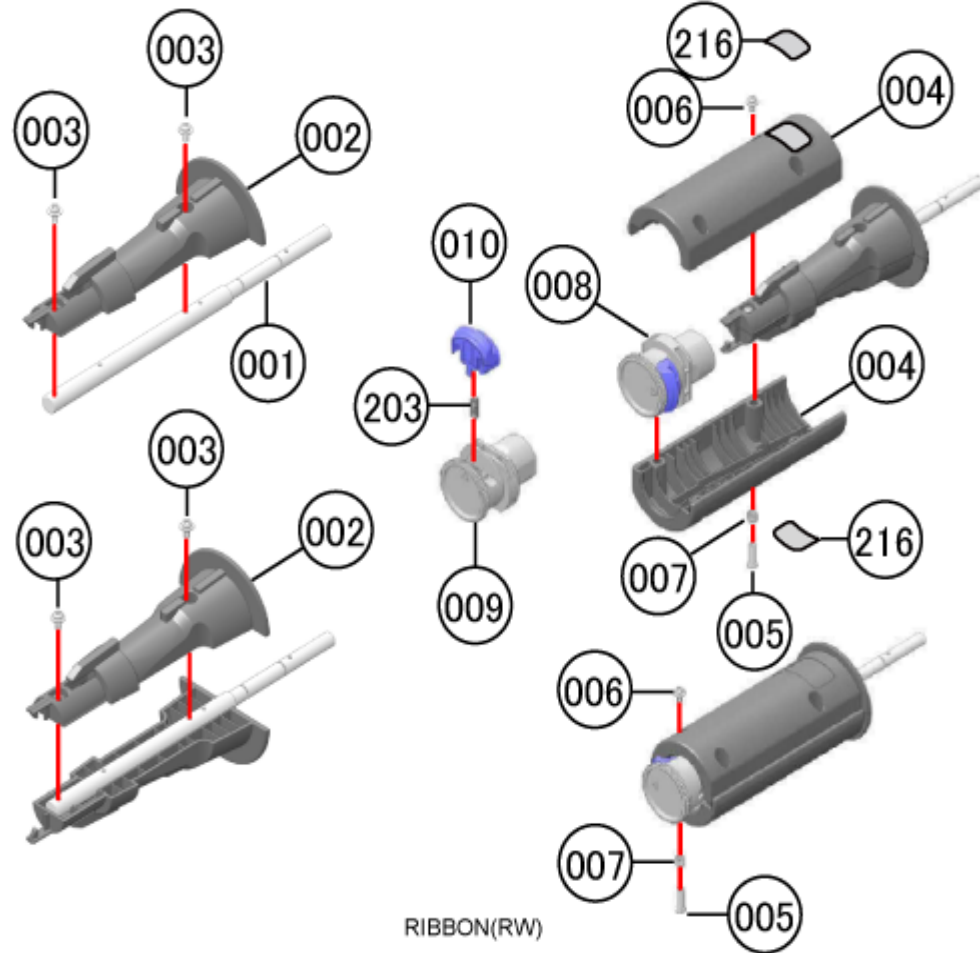
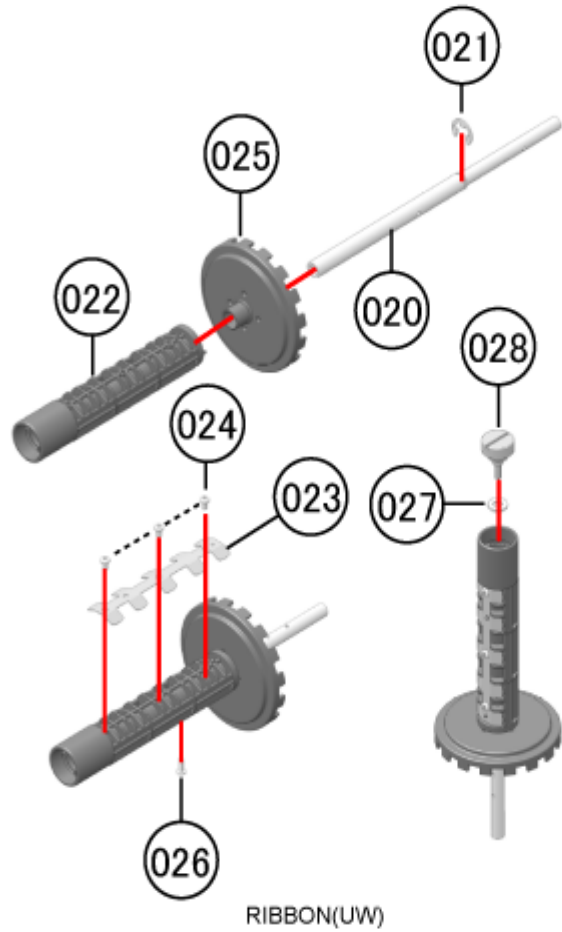


Create Date:

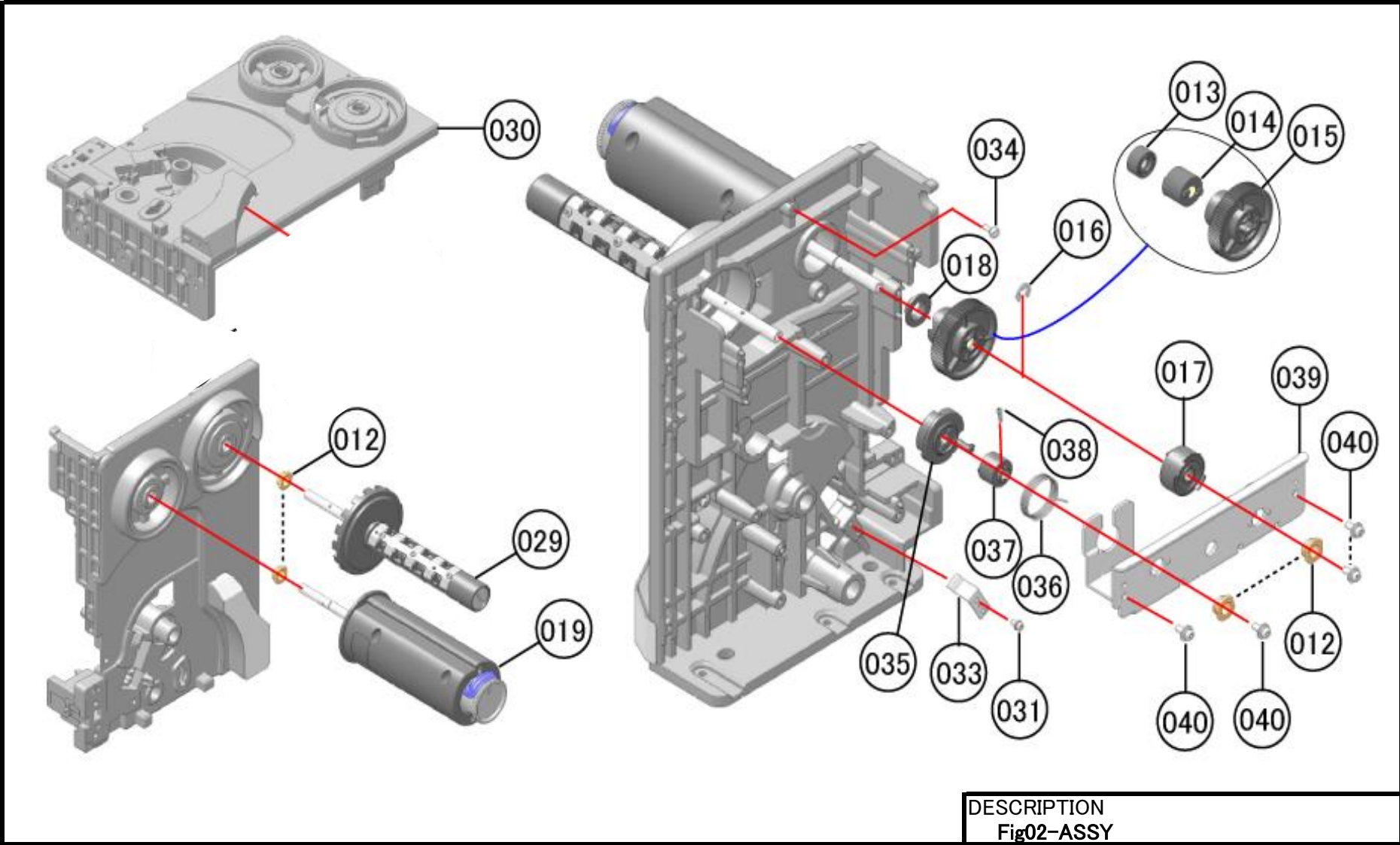
WWCL00060

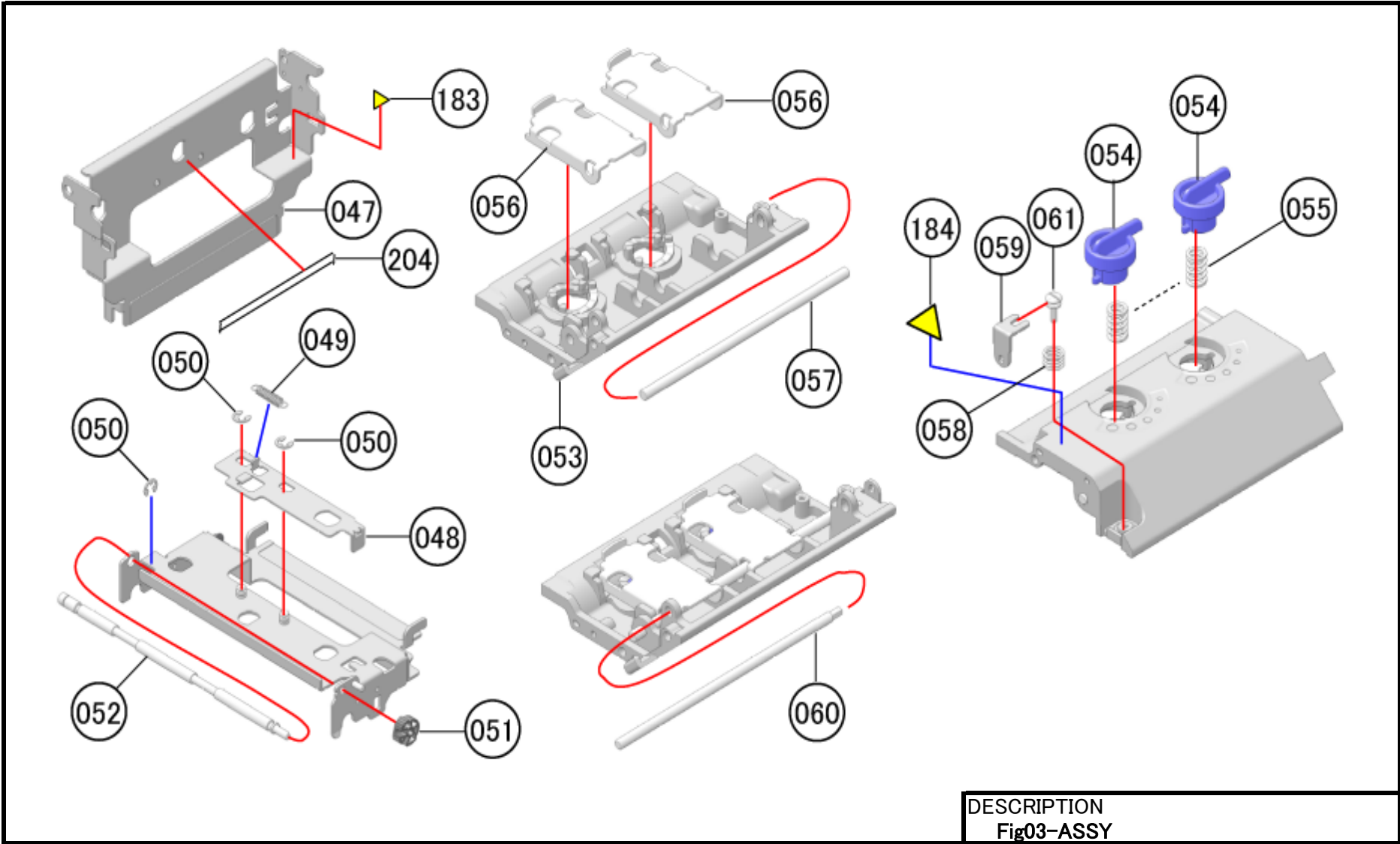
RV00324

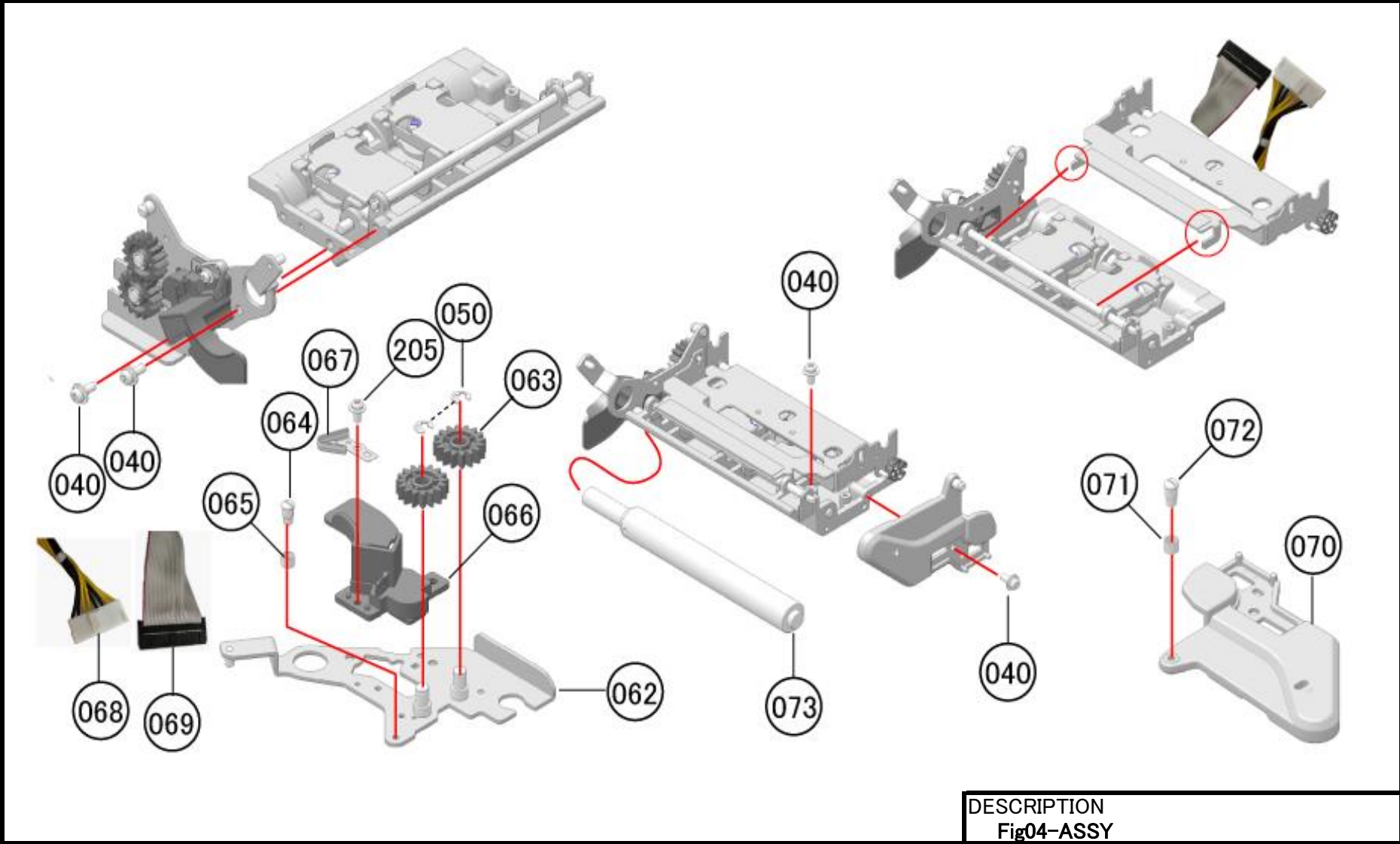
SATO CORPORATION . TOKYO. JAPAN

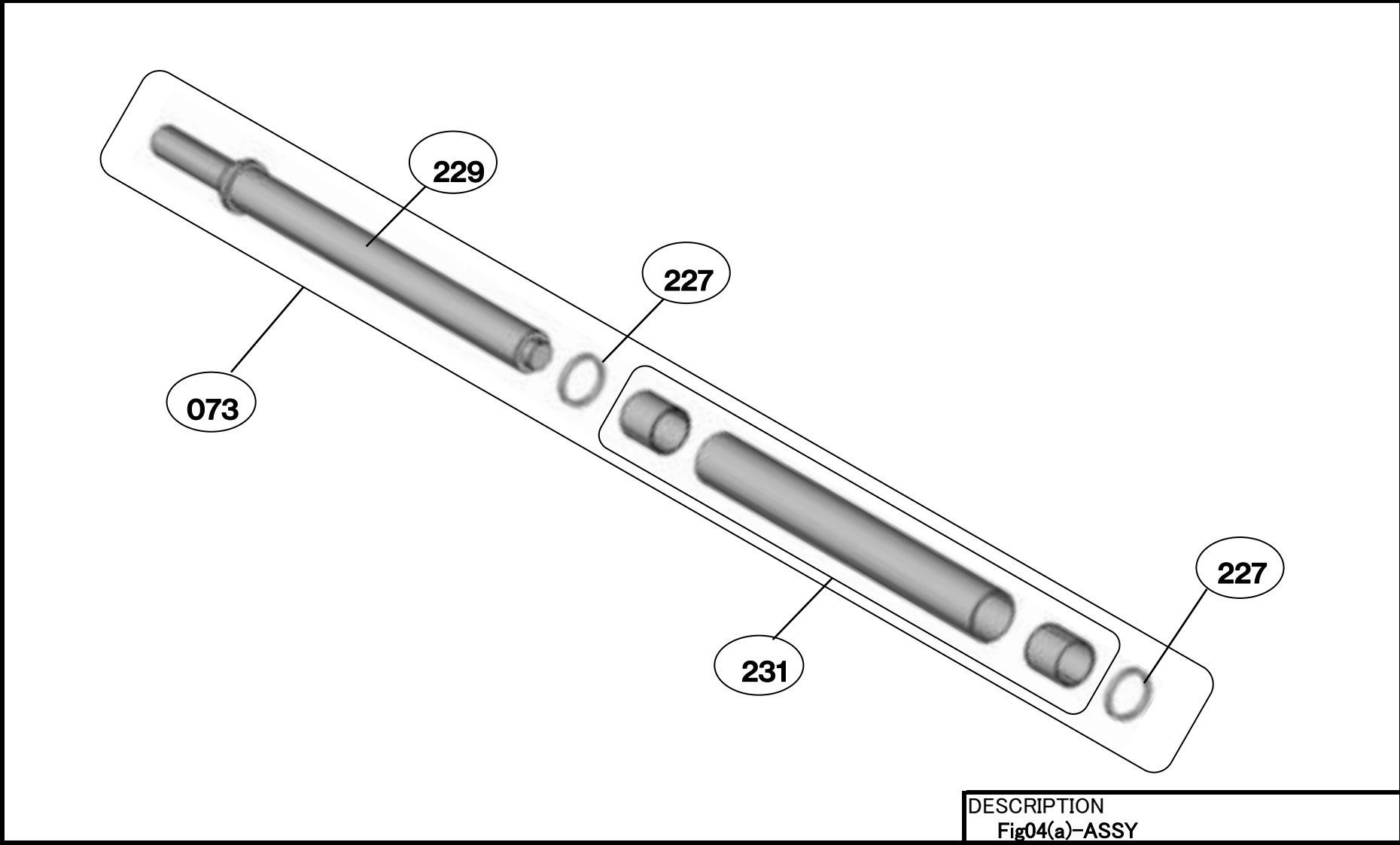


DESCRIPTION  
Fig01-ASSY

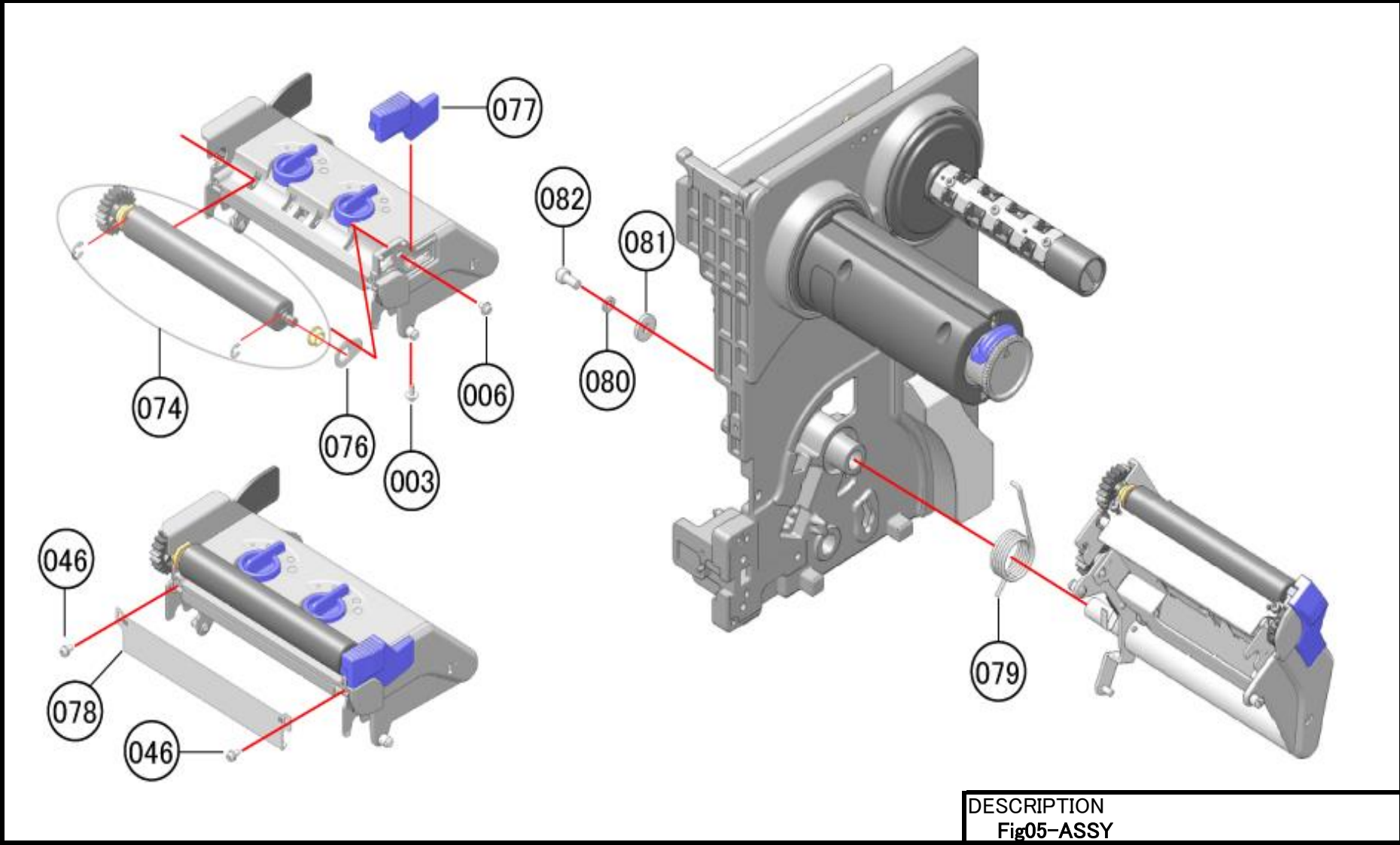


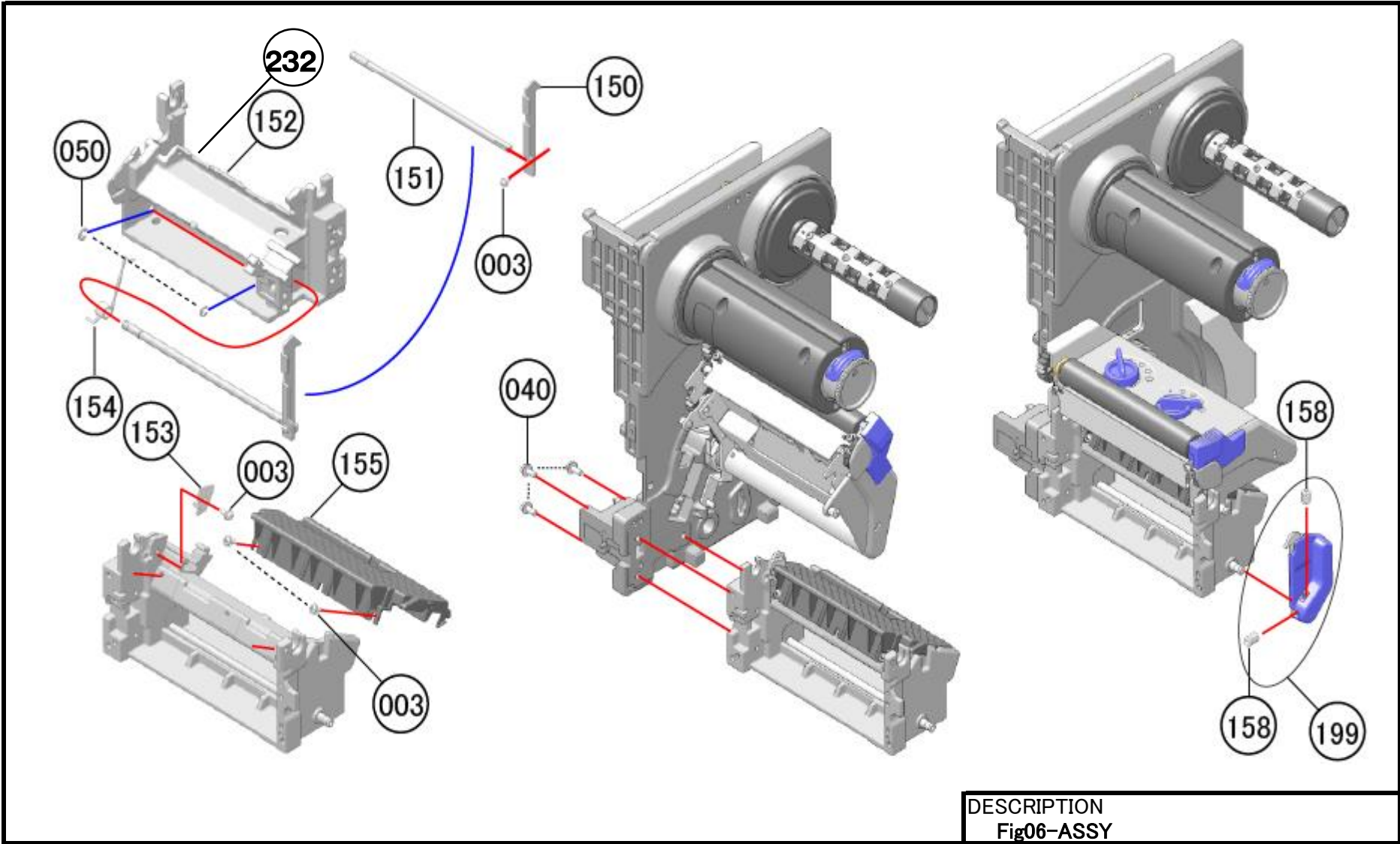




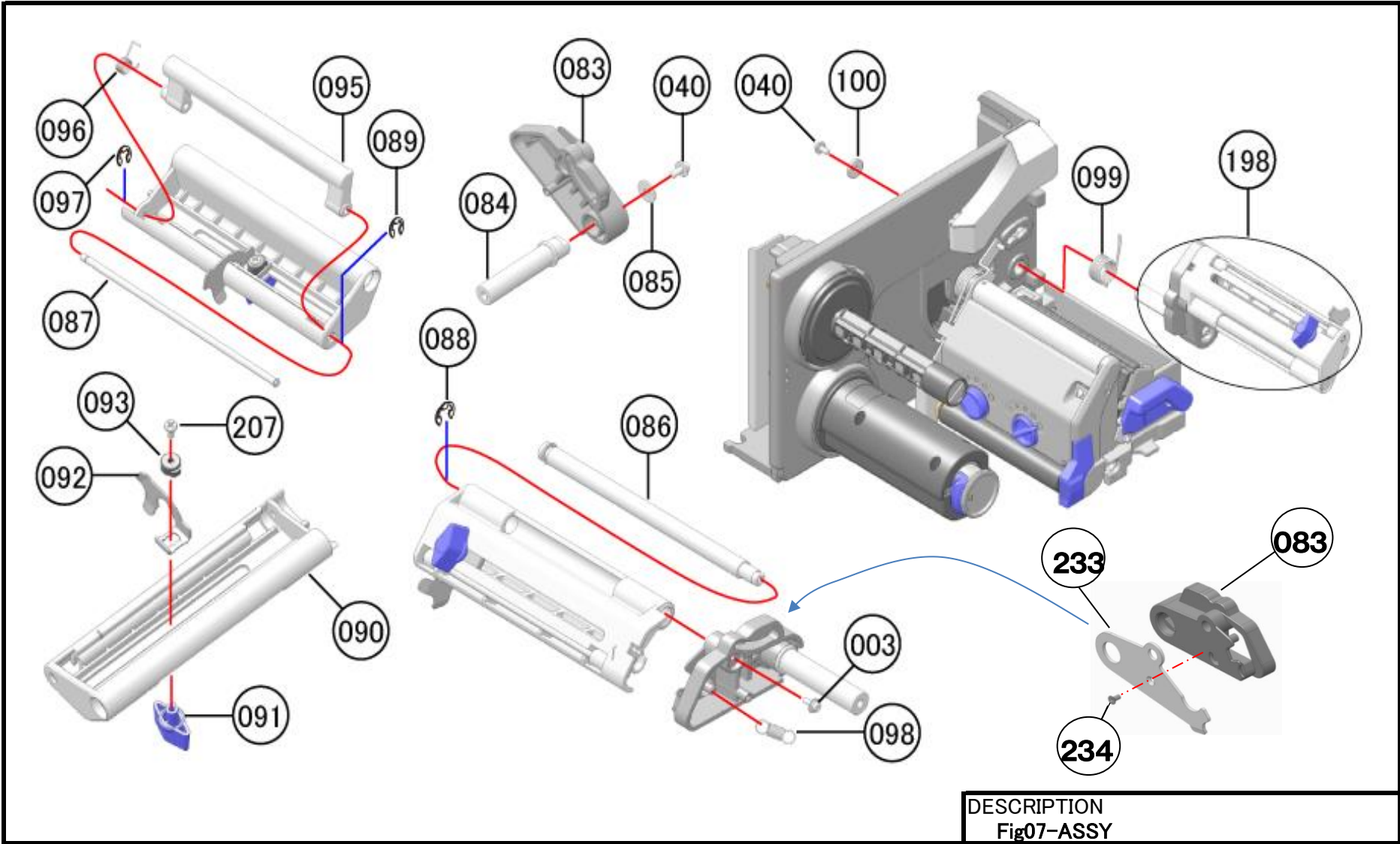








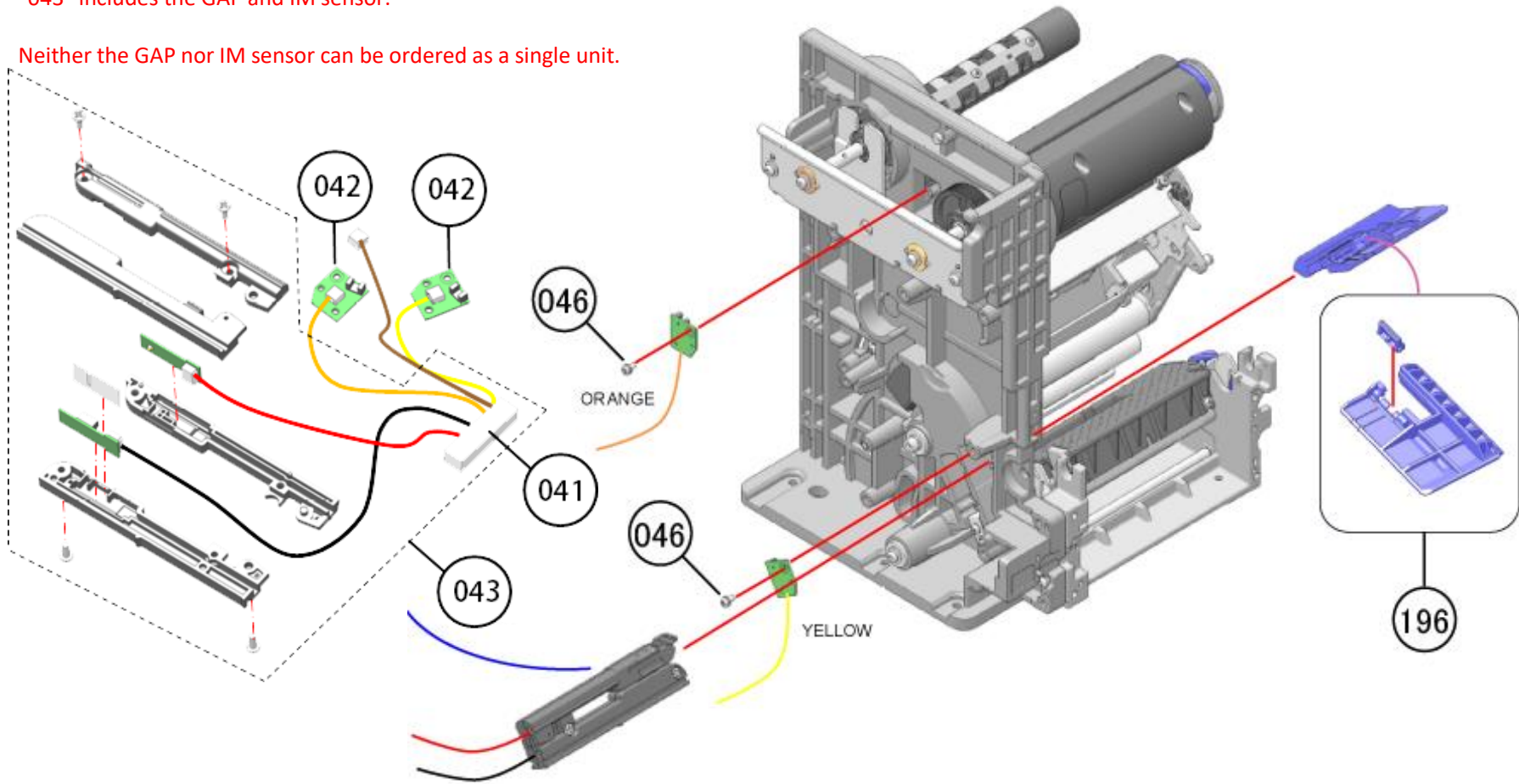




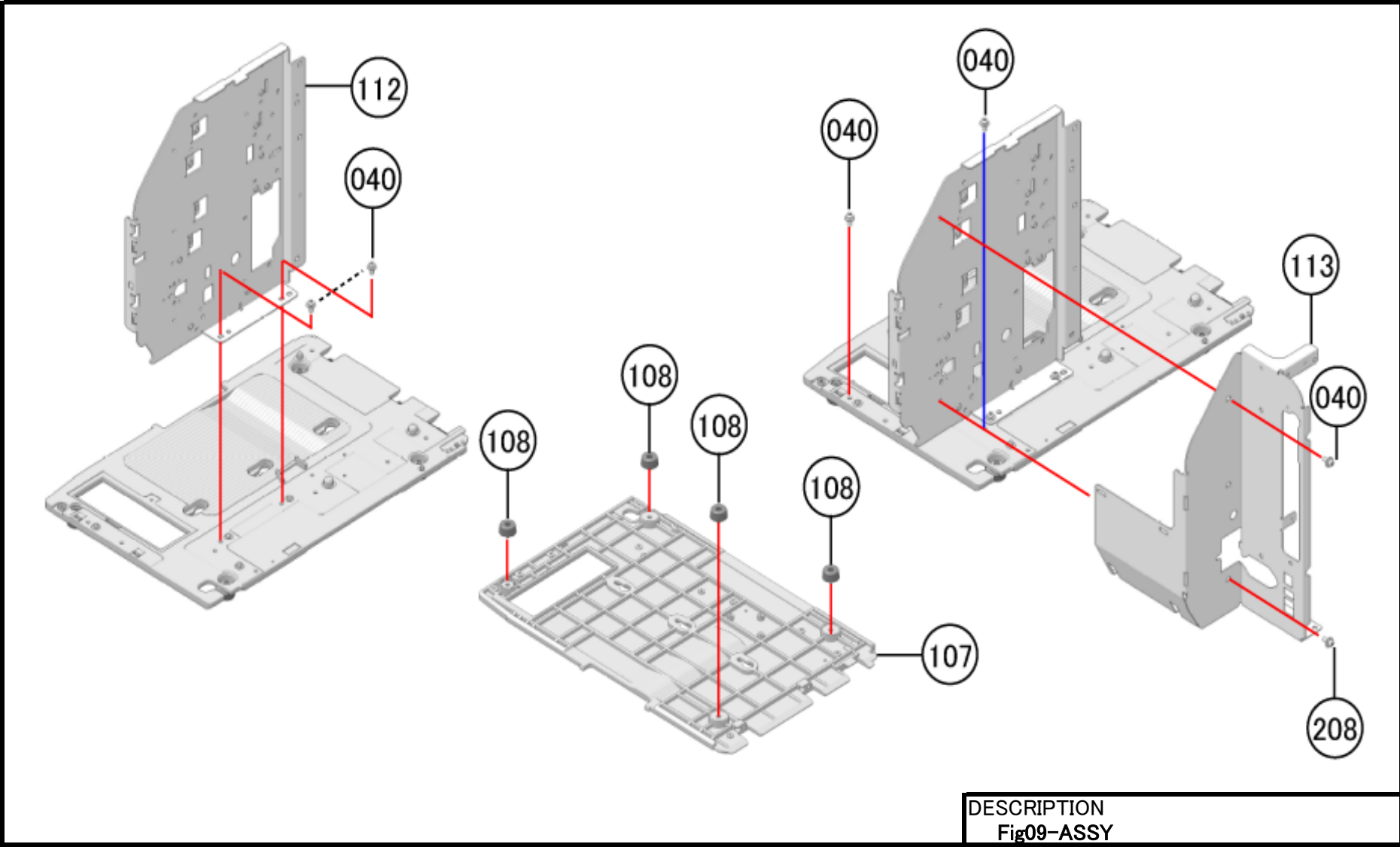
"041" neither include the GAP nor IM sensor(Only cable and connector).

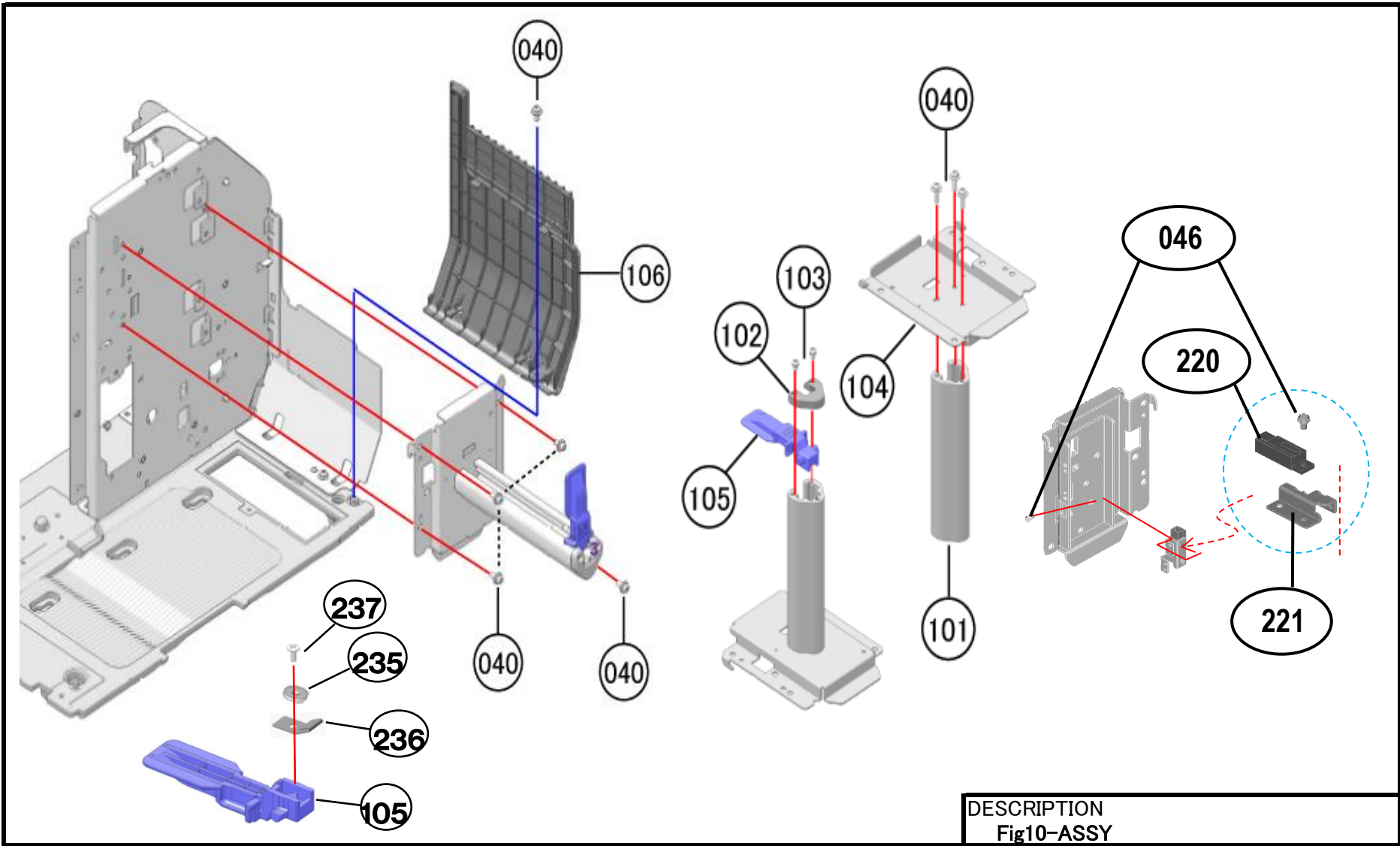
"043" includes the GAP and IM sensor.

Neither the GAP nor IM sensor can be ordered as a single unit.

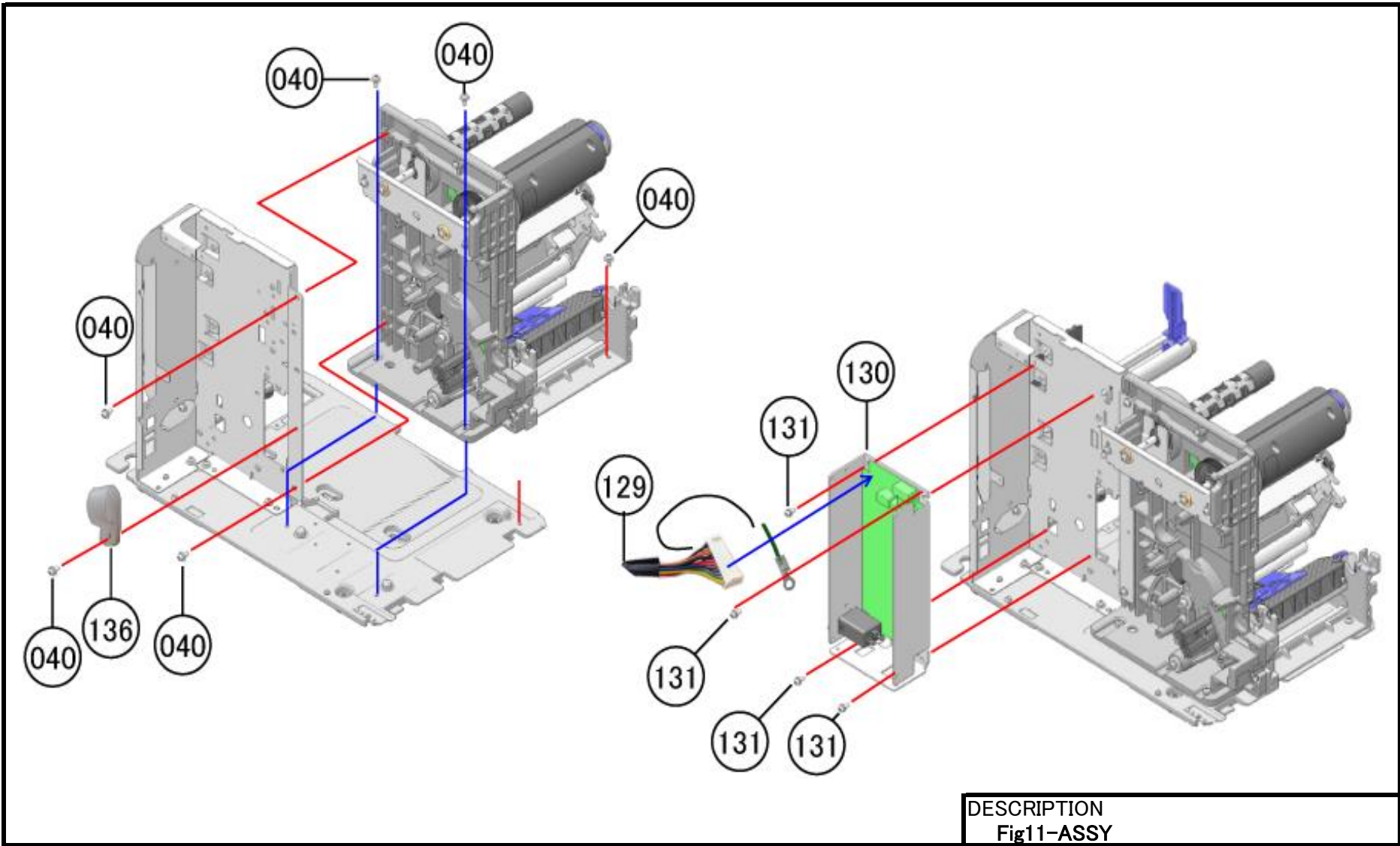


DESCRIPTION  
Fig08-ASSY

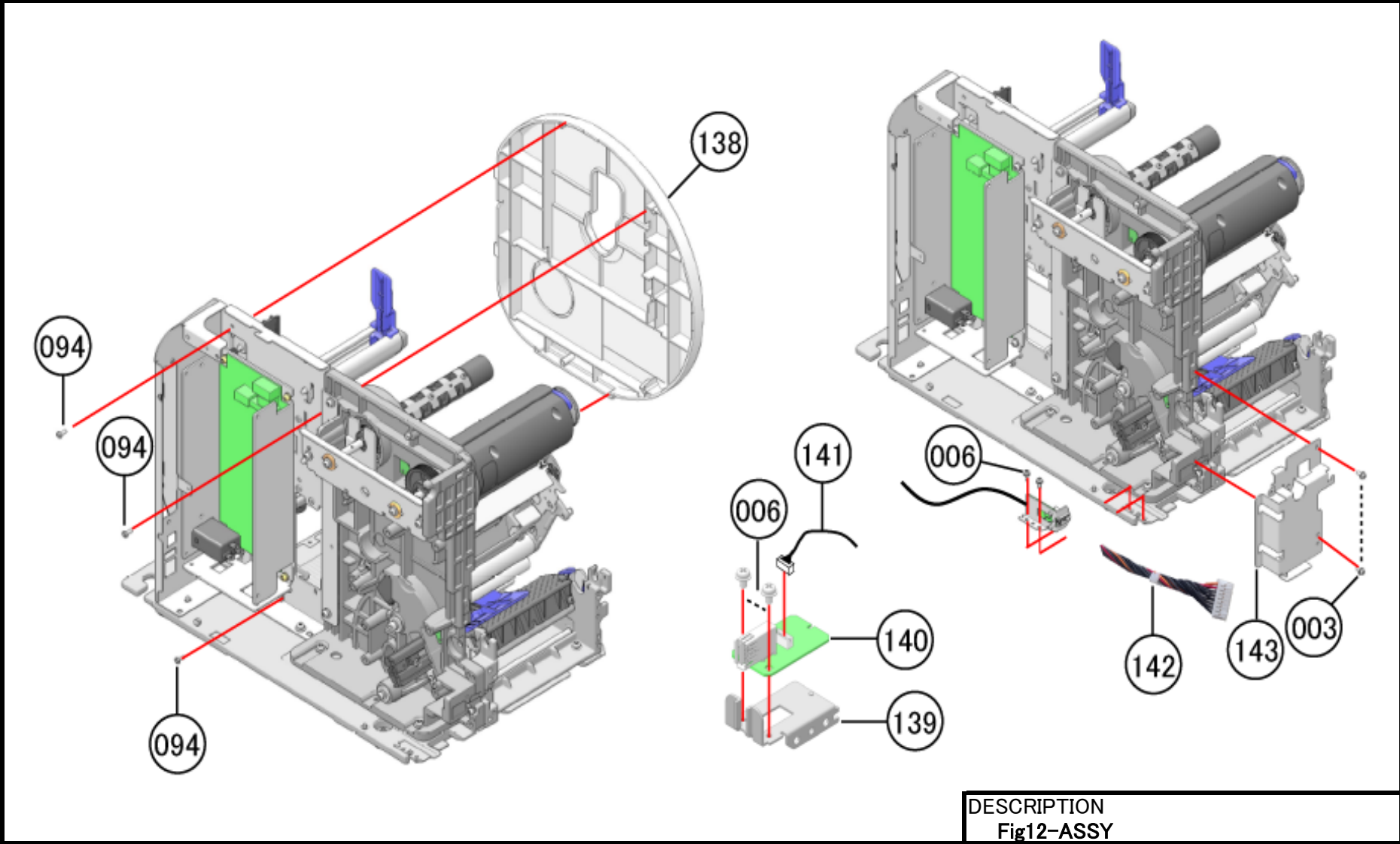


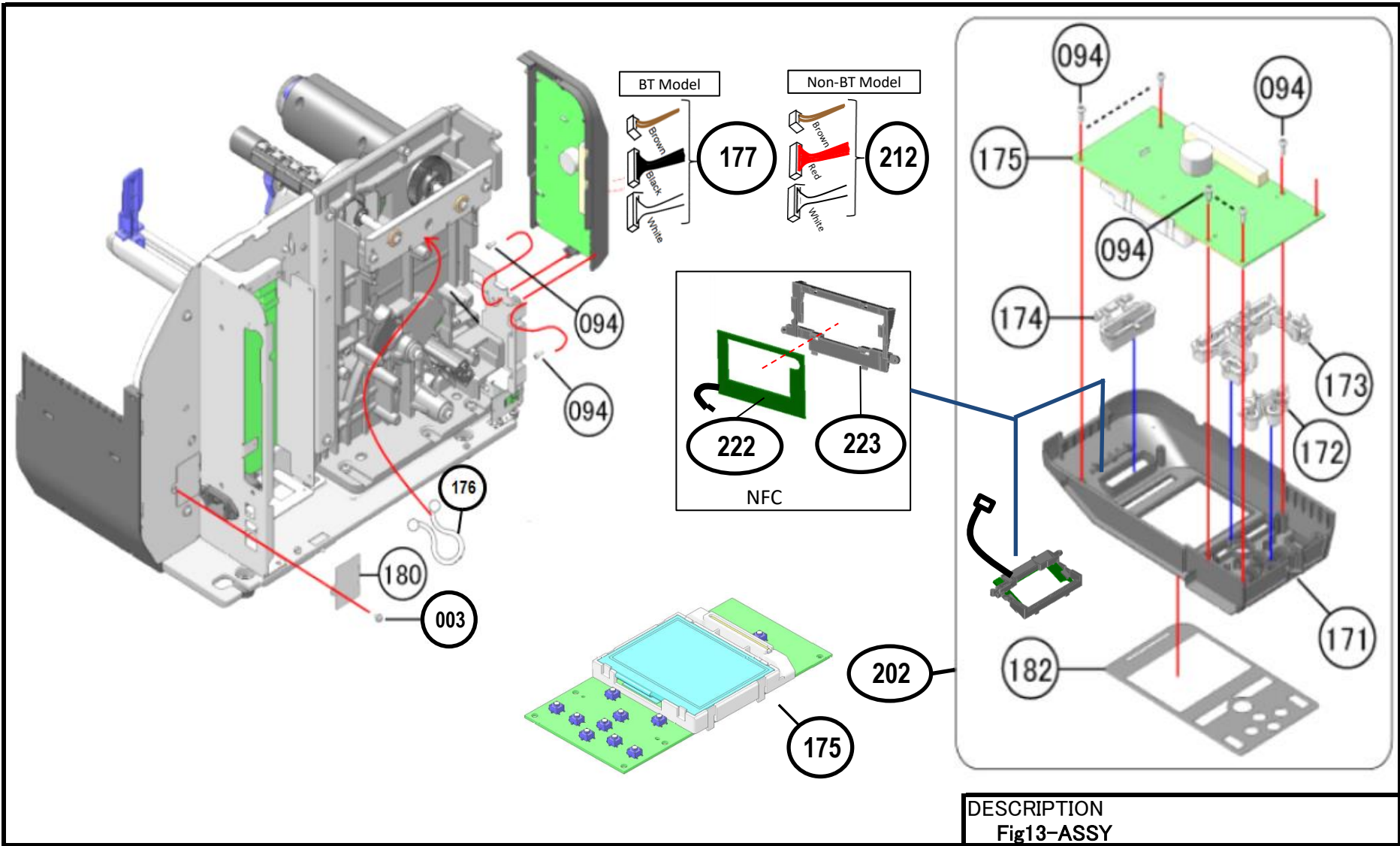


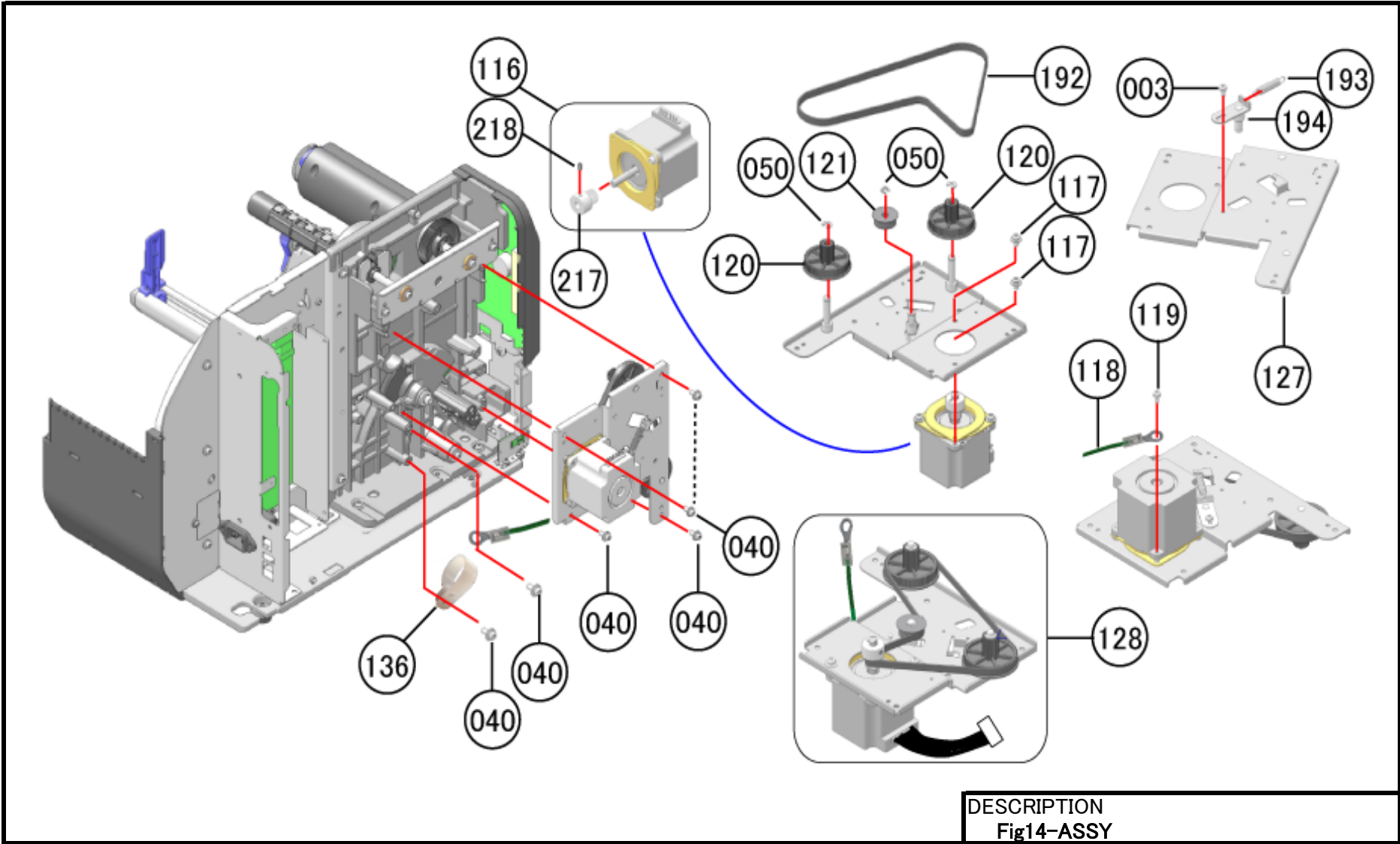


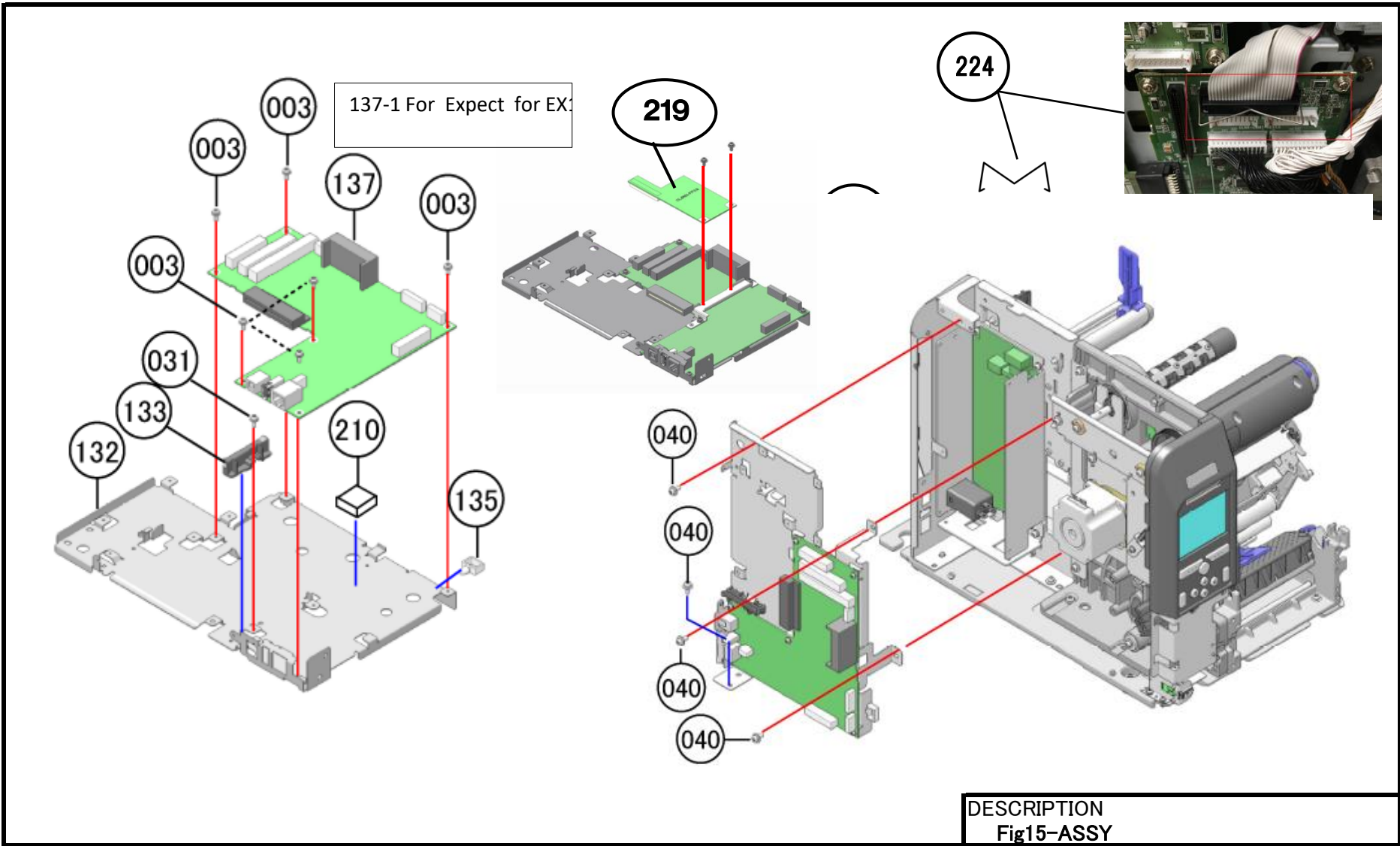


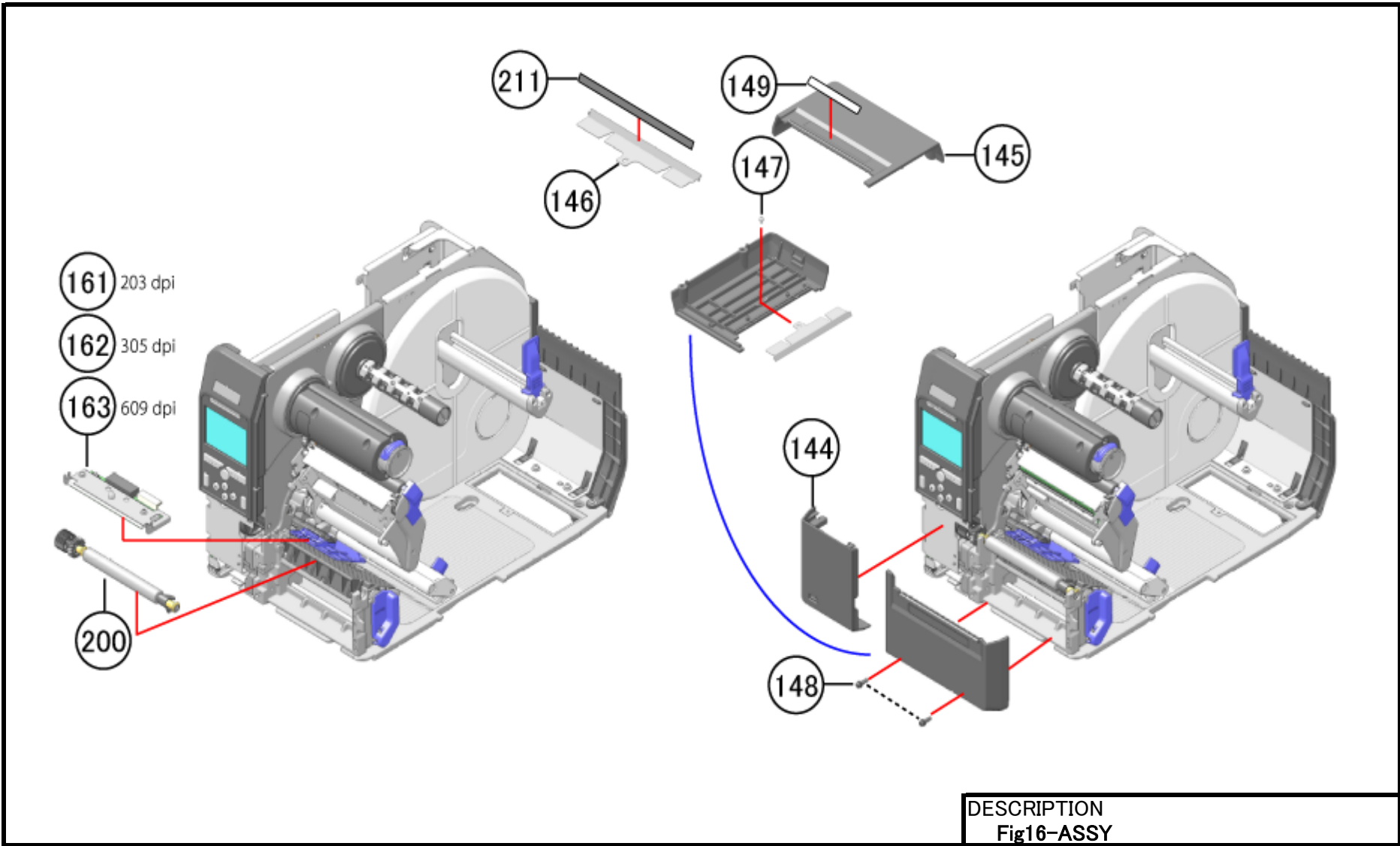




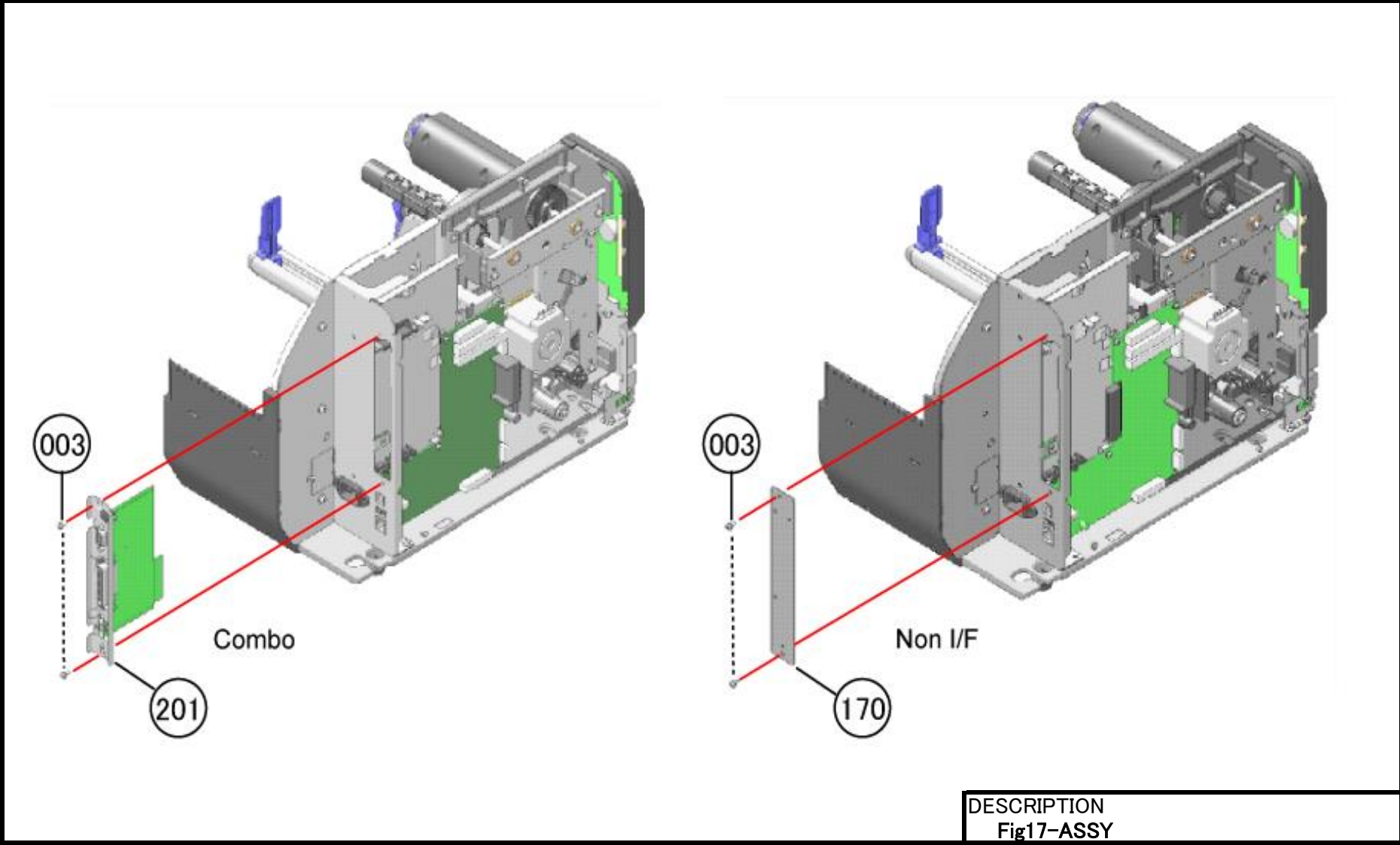


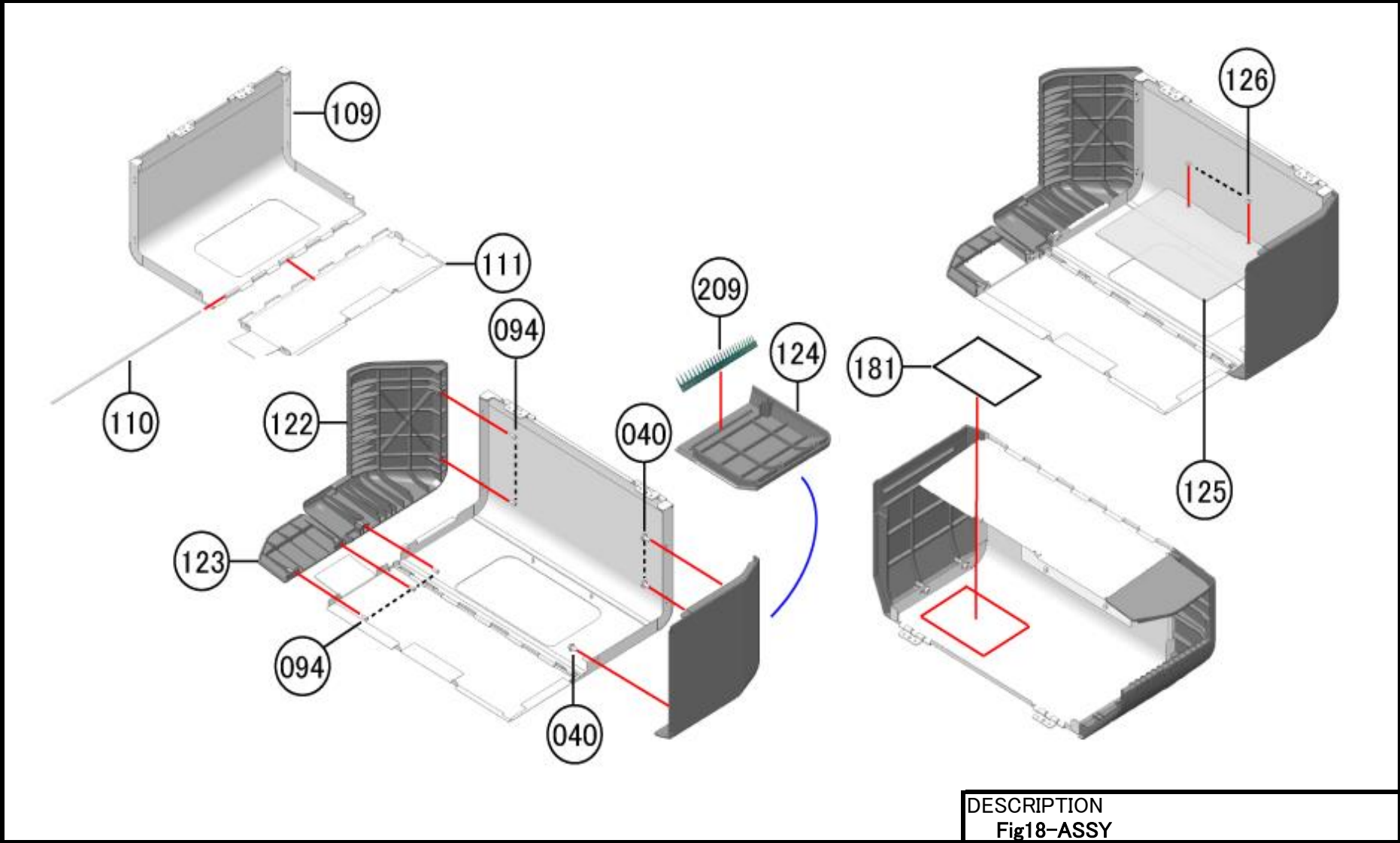


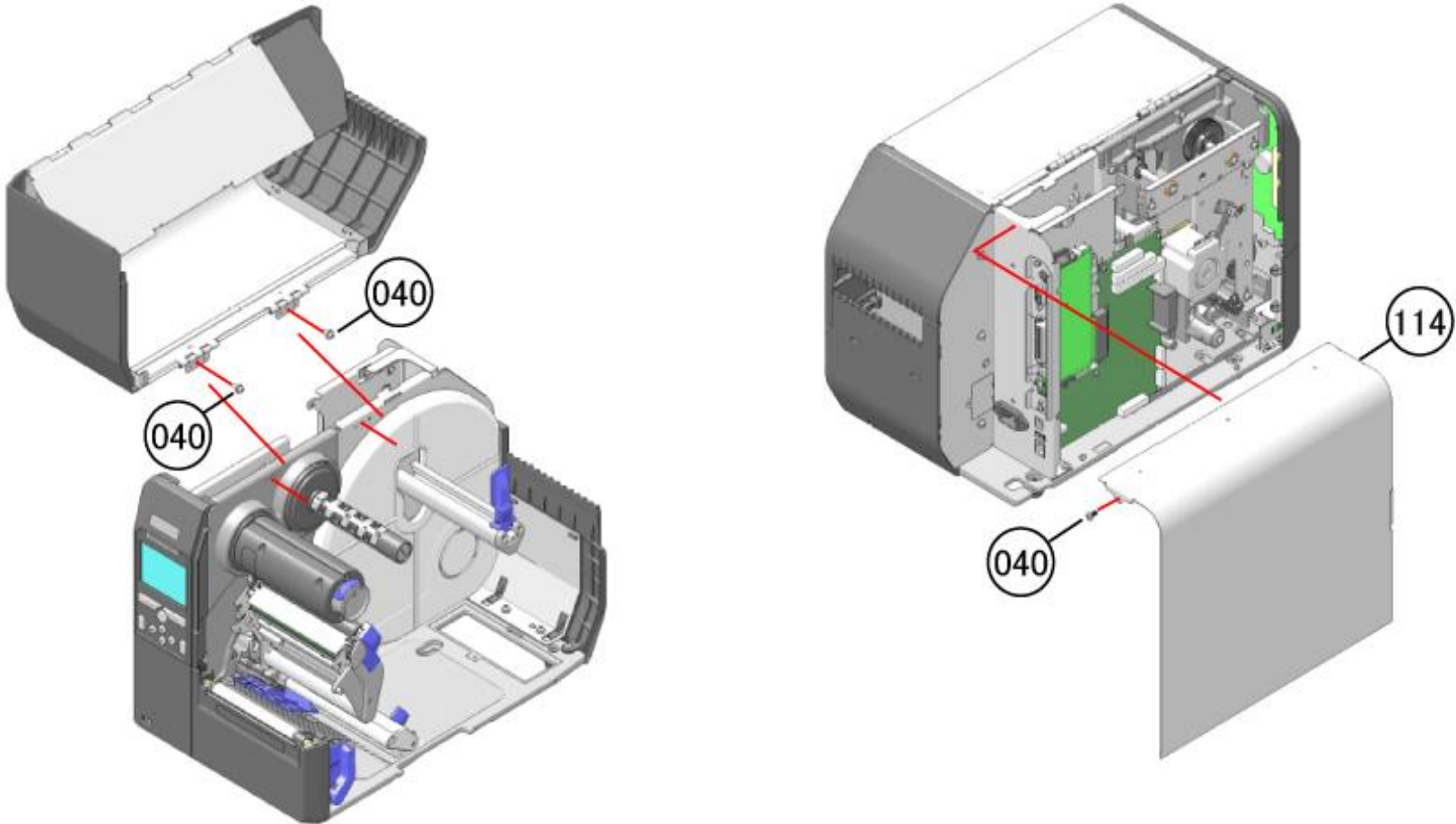




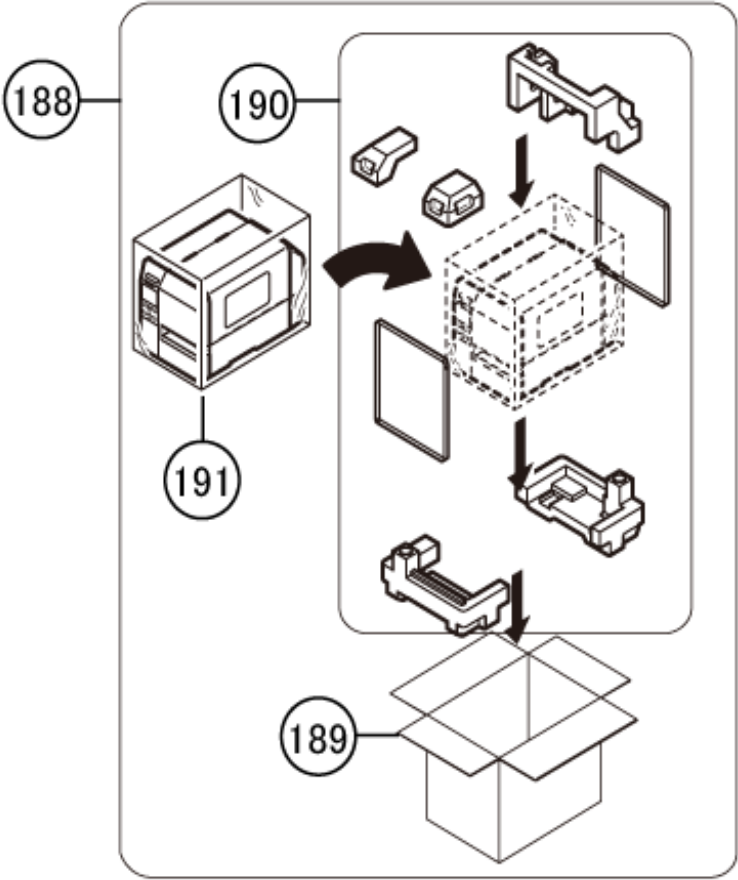
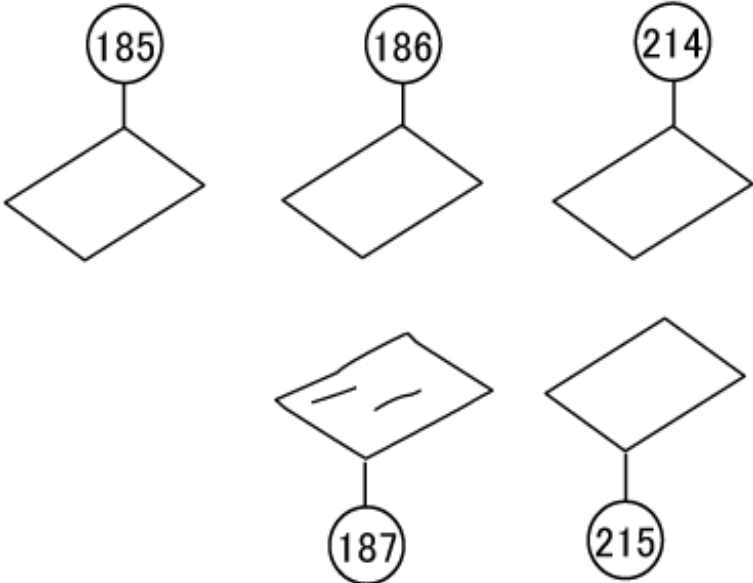








DESCRIPTION  
Fig19-ASSY



DESCRIPTION  
Fig20-ASSY

NO.	First_Code	Description	QTY	NOTE		
1	P53632000	SHAFT(RIBBON CORE)	1	Fig01		
2	P53003001	RIBBON CORE-IN	1	Fig01		
3	MD4300822	PAN HEAD SCREW+SW+WL	1	Fig01,05,06,07,12,13,14,15,17		
4	R29804000	RIBBON CORE (A) S/A	1	Fig01		
5	P40495000	SHAFT(SLIDE)	1	Fig01		
6	MD4300622	PAN HEAD SCREW+SW+WL	1	Fig01,05,12		
7	P40494000	SPRING(SLIDE)	1	Fig01		
8	R29805000	RELEASE BUTTON S/A	1	Fig01		
9	P53002000	RELEASE BUTTON COVER	1	Fig01		
10	P53001000	RELEASE BUTTON	1	Fig01		
12	P53759000	METAL BUSH	1	Fig02		
13	P11461000	ONEWAY CLUTCH	1	Fig02		
14	P23172000	TORQUE LIMITTER	1	Fig02/Recommended Spare parts		
15	P52962000	GEAR C(0_6*81)	1	Fig02		
16	ND0060030	E RING	1	Fig02		
17	P55533000	ONE-WAY LIMITTER	1	Fig02		
18	P15203000	OILES BEARING	1	Fig02		
19	R29803000	RIBBON REWIND S/A	1	Fig02		
20	P53633000	SHAFT(RIBBON BOSS)	1	Fig01		
21	ND0080030	E-SNAP RING	1	Fig01		
22	P53006000	RIBBON BOSS	1	Fig01		
23	P00626000	SPRING(RIBBON BOSS)	1	Fig01		
24	MH0300522	PAN HEAD P TIGHT SCREW	1	Fig01		
25	P53005000	DISK PLATE	1	Fig01		
26	MA0300621	PAN HEAD SCREW	1	Fig01		
27	NB0060022	SPRING WASHER	1	Fig01		
28	P53642000	RIBBON BOSS SCREW	1	Fig01		
29	R29806000	RIBBON UNWIND S/A	1	Fig02		
30	P52952009	CENTER FRAME	1	Fig02		
31	MD3300822	PAN HEAD SCREW+SW+WS	1	Fig02,15		
33	P53139000	SENSOR CASE TENSION	1	Fig02		
34	P53598000	PIN(COVER LH)	1	Fig02		
35	P11280010	BF STOPPER	1	Fig02		
36	P56412101	BF SPRING	1	Fig02		
37	P12267000	TORQUE LIMITER	1	Fig02/Recommended Spare parts		
38	P58681900	TORQUE LIMITER SCREW2	1	Fig02		
39	P53008000	RIBBON FRAME	1	Fig02		
40	MD4401022	PAN HEAD SCREW+SW+WL	1	Fig02,04,06,07,09,10,11,14,15,18,19		
41	R32514101	SENSOR CABLE (J) SET -LF	1	Fig08		
42	R28363000	CL4NX HO RB PCB SET -LF	1	Fig08/Recommended Spare parts		
43	R37901600	PITCH SENSOR S/A	1	Fig08/Recommended Spare parts		
46	MD3300621	PAN HEAD SCREW+SW+WS	1	Fig05,08,10		
47	R27445001	HEAD BASE PLATE SET	1	Fig03		
48	P52998000	RELEASE PLATE	1	Fig03		
49	P22068000	SPRING(RELEASE)	1	Fig03		
50	ND0040030	E SNAP RING	1	Fig03,04,06,14		
51	P52999000	HEAD_AJ_KNOB	1	Fig03		
52	P53630001	SHAFT(HEAD AJ)	1	Fig03		
53	P52965001	HEAD FRAME	1	Fig03		
54	P52982000	HEAD PRESSURE KNOB	1	Fig03		
55	P53619000	SPRING(HEAD)	1	Fig03		
56	P52983000	HEAD PRESSURE ARM	1	Fig03		
57	P53620000	SHAFT(ARM)	1	Fig03		
58	P53626000	SPRING(HEAD AJ)	1	Fig03		
59	P52991000	AJ PLATE(HEAD)	1	Fig03		
60	P53621000	SHAFT(HEAD BASE)	1	Fig03		
61	P53627000	HEAD AJ SCREW	1	Fig03		
62	R27444000	HEAD FRAME LH SET	1	Fig04		
63	P52989000	GEAR H(1_25*16)	1	Fig04		
64	P53625000	HEAD LOCK SCREW	1	Fig04		



NO.	First_Code	Description	QTY	NOTE		
65	P41929000	COLLAR(5*6*4.8)	1	Fig04		
66	P52986001	HEAD HARNESS COVER	1	Fig04		
67	P52987000	SENSOR HOLD SP	1	Fig04		
68	R28432000	HEAD POWER CABLE SET-LF	1	Fig04		
69	R28428000	HEAD SIGANL CABLE SET-LF	1	Fig04		
70	P52966000	HEAD FRAME RH	1	Fig04		
71	P41929000	COLLAR(5*6*4.8)	1	Fig04		
72	P53625000	HEAD LOCK SCREW	1	Fig04		
73	R38797100	HEAD SHAFT S/A	1	Fig04, Fig04(a)		
74	R29801000	RIBBON ROLLER S/A	1	Fig05		
76	P52988000	AJ PLATE(RIBBON ROLLER)	1	Fig05		
77	P52984000	HEAD CLOSE LEVER	1	Fig05		
78	P52985001	AJ PLATE(RIBBON)	1	Fig05		
79	P53600000	SPRING(HEAD UP)	1	Fig05		
80	NB0050022	SPRING WASHER	1	Fig05		
81	PA0720100	COLLAR (5*16*2.3)	1	Fig05		
82	MN1501030	HEX BOLT	1	Fig05		
83	P52970000	DAMPER BASE	1	Fig07		
84	P53638000	SHAFT(DAMPER BASE)	1	Fig07		
85	PA0730300	WASHER (4.2*14*1)	1	Fig07		
86	P53636001	SHAFT(DAMPER A)	1	Fig07		
87	P53640000	SHAFT(DAMPER B)	1	Fig07		
88	ND0060030	E RING	1	Fig07		
89	ND0020030	E SNAP RING	1	Fig07		
90	P53120001	DAMPER HOLDER TOP	1	Fig07		
91	P53121000	LABEL GUIDE LEVER	1	Fig07		
92	P59613900	LABEL GUIDE RH WIDE	1	Fig07		
93	P53123000	LABEL GUIDE STOPPER	1	Fig07		
94	M16208000	BIND HEAD P TIGHT SCREW	1	Fig12,13,18		
95	P53145000	DAMPER HOLDER UNDER	1	Fig07		
96	P56788000	SPRING(DAMPER B)	1	Fig07		
97	ND0030030	E SNAP RING	1	Fig07		
98	P56787900	SPRING(DAMPER A)	1	Fig07		
99	P53637000	SPRING(DAMPER BASE)	1	Fig07		
100	PA0720100	COLLAR (5*16*2.3)	1	Fig07		
101	P52971000	LABEL HOLDER	1	Fig10		
102	P53125000	LABEL HOLDER CAP	1	Fig10		
103	MA0400822	PAN HEAD SCREW	1	Fig10		
104	R30543003	LABEL HOLDER SUPPORT SET	1	Fig10		
105	P53122002	LABEL HOLDER GUIDE RH	1	Fig10		
106	P53113001	REAR COVER	1	Fig10		
107	P52964000	BASE FRAME	1	Fig09		
108	P11522000	CASE LEG	1	Fig09		
109	R27611001	OPEN COVER TOP SET	1	Fig18		
110	P53599000	HINGE PIN(SUB COVER)	1	Fig18		
111	P53103000	SUB OPEN COVER	1	Fig18		
112	P61084700	CENTER PLATE	1	Fig09		
113	R37752600	REAR PANEL LH(SILK)	1	Fig09		
114	R27582000	COVER LH SET	1	Fig19		
116	R29789001	MOTOR S/A	1	Fig14		
117	MD4400822	PAN HEAD SCREW+SW+WL	1	Fig14		
118	R13541000	FG CABLE-195 SET-LF	1	Fig14		
119	MD0400622	PAN HEAD SCREW	1	Fig14		
120	P52963000	GEAR/PULLEY(0.6*20/67)	1	Fig14		
121	P44208000	TENSION ROLLER	1	Fig14		
122	P53110000	REAR OPEN COVER	1	Fig18		
123	P53111000	SUB REAR OPEN COVER	1	Fig18		
124	P52951000	FRONT COVER TOP	1	Fig18		
125	P53097000	WINDOW	1	Fig18		
126	MV8300030	PUSH NUT	1	Fig18		

NO.	First_Code	Description	QTY	NOTE		
127	R27637000	GEAR FRAME SET	1	Fig14		
128	R29788003	GEAR BRACKET ASSY	1	Fig14		
129	R28429001	POWER SUPPLY CABLE SET-LF	1	Fig11		
130	R29211002	Power Unit ASSY-LF	1	Fig11/Recommended Spare parts		
131	MD3401021	PAN HEAD SCREW+SW+WS	1	Fig11		
132	P52979000	MAIN PCB BR	1	Fig15		
133	P52981000	I/F GUIDE RAIL	1	Fig15		
135	P54964000	CABLE SADDLE	1	Fig15		
136	JG100141A	NYLON CLAMP	1	Fig11,14		
137-1	R37911100	CLNX-CONT-S PCB ASSY-LF (PLUS)	1	Fig15/Recommended Spare parts		
137-2	R38285100	CLNX-CONT-S PCB ASSY-LF (PLUS,EX1)	1	Fig15/Recommended Spare parts		
138	P53128000	LABEL HOLDER GUIDE LH	1	Fig12		
139	P53115000	USB PCB BR	1	Fig12		
140	R28364000	CL4NX USB PCB ASSY -LF	1	Fig12		
141	R28426000	USB HOST CABLE SET-LF	1	Fig12		
142	R28425000	OPTION CABLE SET-LF	1	Fig12		
143	P53114000	CONT PCB BR	1	Fig12		
144	P53096000	FRONT COVER UNDER LH	1	Fig16		
145	P52950000	FRONT COVER UNDER RH	1	Fig16		
146	R37905400	TEAR OFF CUTTER(ED)	1	Fig16		
147	MD4300522	PAN HEAD SCREW+SW+WL	1	Fig16		
148	MD3401228	PAN HEAD SCREW+SW+WS	1	Fig16		
149	Q04254000	STICKER(TEAR OFF)	1	Fig16		
150	P52954000	HEAD LOCK PLATE LH	1	Fig06		
151	P53602000	SHAFT(HOOK)	1	Fig06		
152	P52953002	ENGINE FRAME	1	Fig06		
153	P52973000	LABEL GUIDE LH(F)	1	Fig06		
154	P53616000	SPRING(HOOK)	1	Fig06		
155	P52958000	MEDIA GUARD(COAT)	1	Fig06		
158	MJ1400524	HEX SOCKET SET SCREW(W-POINT)	1	Fig06		
161	R37901800	HEAD SUB ASSY(8)	1	Fig16/Recommended Spare parts		
162	R37901900	HEAD SUB ASSY(12)	1	Fig16/Recommended Spare parts		
163	R37902000	HEAD SUB ASSY(24)	1	Fig16/Recommended Spare parts		
170	P54785000	IF COVER(STD)	1	Fig17		
171	R29018004	CONT FRAME CL4NX (SILK)	1	Fig13		
172	R29808000	CONT KEY UNDER(SILK)	1	Fig13		
173	R29019000	CONT KEY TOP(SILK)	1	Fig13		
174	P53112000	POWER KEY	1	Fig13		
175	R32707300	CLNX KB PCB ASSY	1	Fig13/Recommended Spare parts		
176	P55073000	OMEGA LOCK	1	Fig13		
177	R32514000	KB CABLE (NFC) SET-LF	1	Fig13		
180	P61084900	DIS BLIND COVER RW	1	Fig13		
181	Q04253000	ROUTE STICKER	1	Fig18		
182	P53118000	CONT FRAME SHEET	1	Fig13		
183	QC6524200	STICKER(CAUTION HOT)	1	Fig03		
184	Q04255000	STICKER(CAUTION)	1	Fig03		
185	Q05290500	Quick Guide	1	Fig20		
186	Q04537300	GWP-LEAFLET	1	Fig20		
187	QB2042336	POLYBAG	1	Fig20		
188	R29810000	PACKING SET (CL4NX)	1	Fig20		
189	Q04257000	CARTON CASE (PRINT)	1	Fig20		
190	R29829000	CUSHION SET (CL4NX)	1	Fig20		
191	Q01791002	POLY BAG(SR/GT)	1	Fig20		
192	P53988000	TIMING BELT	1	Fig14/Recommended Spare parts		
193	P53618000	SPRING(IDOLE)	1	Fig14		
194	R27442000	TENSION BR SET	1	Fig14		
196	R30539000	LABEL SENSOR ASSY	1	Fig08		
198	R32942302	DAMPER ASSY(J)	1	Fig07		
199	R30541000	HEAD LOCK ASSY	1	Fig06		
200	R37901501	PLATEN S/A (PL)	1	Fig16/Recommended Spare parts		

NO.	First_Code	Description	QTY	NOTE		
201	R30542000	I/F COVER ASSY	1	Fig17/Recommended Spare parts		
202	R29807006	CONTROL PANEL ASSY CL4NX (NFC)	1	Fig13		
203	P53644000	RIBBON RELEASE SPRING	1	Fig01		
204	P56083900	HEAD SHEET	1	Fig03		
205	MD4301022	PAN HEAD SCREW+SW+WL	1	Fig04		
207	MH0301021	PAN HEAD P TIGHT SCREW	1	Fig07		
208	MD3400622	PAN HEAD SCREW+SW+WS	1	Fig09		
209	Q01069001	SHEET(THUNDER)W110	1	Fig18		
210	P55724000	HEAT CONDUCTING PAD	1	Fig15		
211	P55461000	SHEET(TEAR OFF)	1	Fig16		
212	R33111100	KB CABLE(NON-BT,NFC) SET-LF	1	Fig13		
214	Q04280000	Quick Guide(Chinese)	1	Fig20		
215	Q04281000	Safety Precautions	1	Fig20		
216	P37081000	GRIP SHEET	1	Fig01		
217	P53646000	MO PULLEY	1	Fig14		
218	MJ1400524	HEX SOCKET SET SCREW(W-POINT)	1	Fig14		
219	R32262401	CLNX-FPGA PCB ASSY	1	Fig15		
220	F05171900	PHOTO INTERRUPTER-LF	1	Fig10		
221	P56500601	LABEL SENSOR BR	1	Fig10		
222	R32706600	CLNX-NFC ANT ASSY	1	Fig13		
223	P56579900	NFC ANTENNA HOLDER	1	Fig13		
224	PC9730100	SPRING(LOCK)	1	Fig15		
225	P56209703	MAIN PCB SUB BR	1	Fig15		
227	P61084102	ROLLER SPACER	1	Fig4(a)		
228	P61084001	RIBBON PIPE	1	Fig4(a)		
229	P61083900	SHAFT(HEAD)	1	Fig4(a)		
231	R38797200	RIBBON PIPE S/A	1	Fig4(a)		
232	R37901400	ENGINE FRAME (SRA)	1	Fig6		
233	P56208700	LABEL GUIDE LH(DAMPER)	1	Fig7		
234	MA1300622	FLAT HEAD SCREW	1	Fig7		
235	NA1030022	PLAIN WASHER	1	Fig10		
236	P56483100	LABEL HOLDER GUIDE RH SP	1	Fig10		
237	MH0300821	PAN HEAD P TIGHT SCREW	1	Fig10		
238	Q05290600	Quick Guide (CS / CT)	1	Fig20		

