

CG2XX SERVICE PARTS LIST

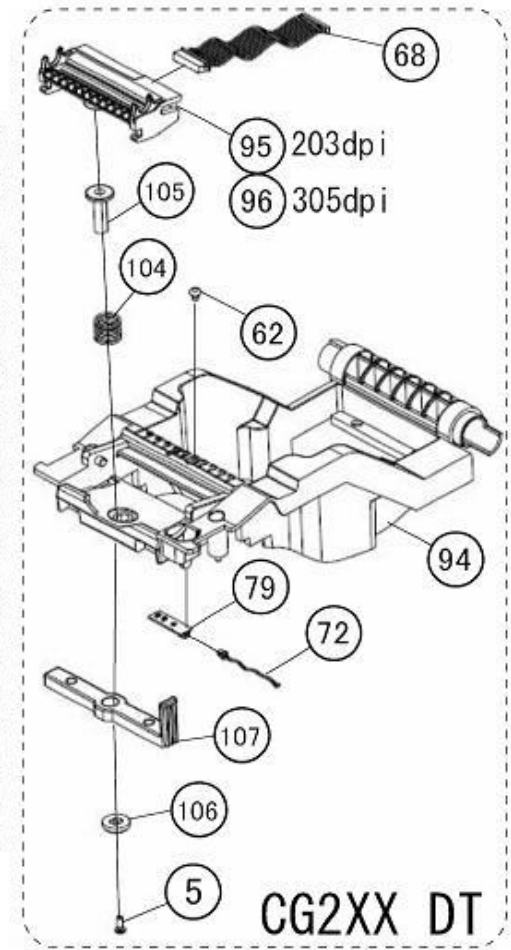
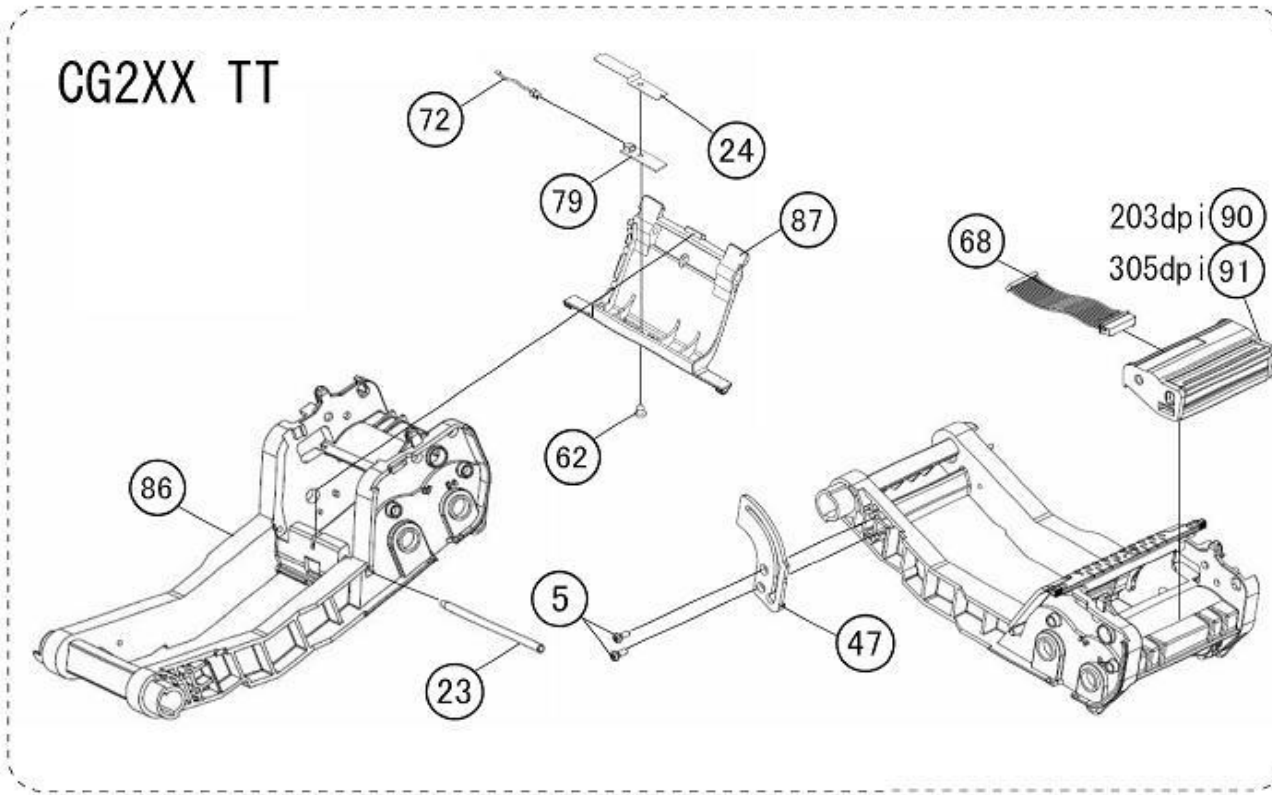


Create Date:

WWCG20031

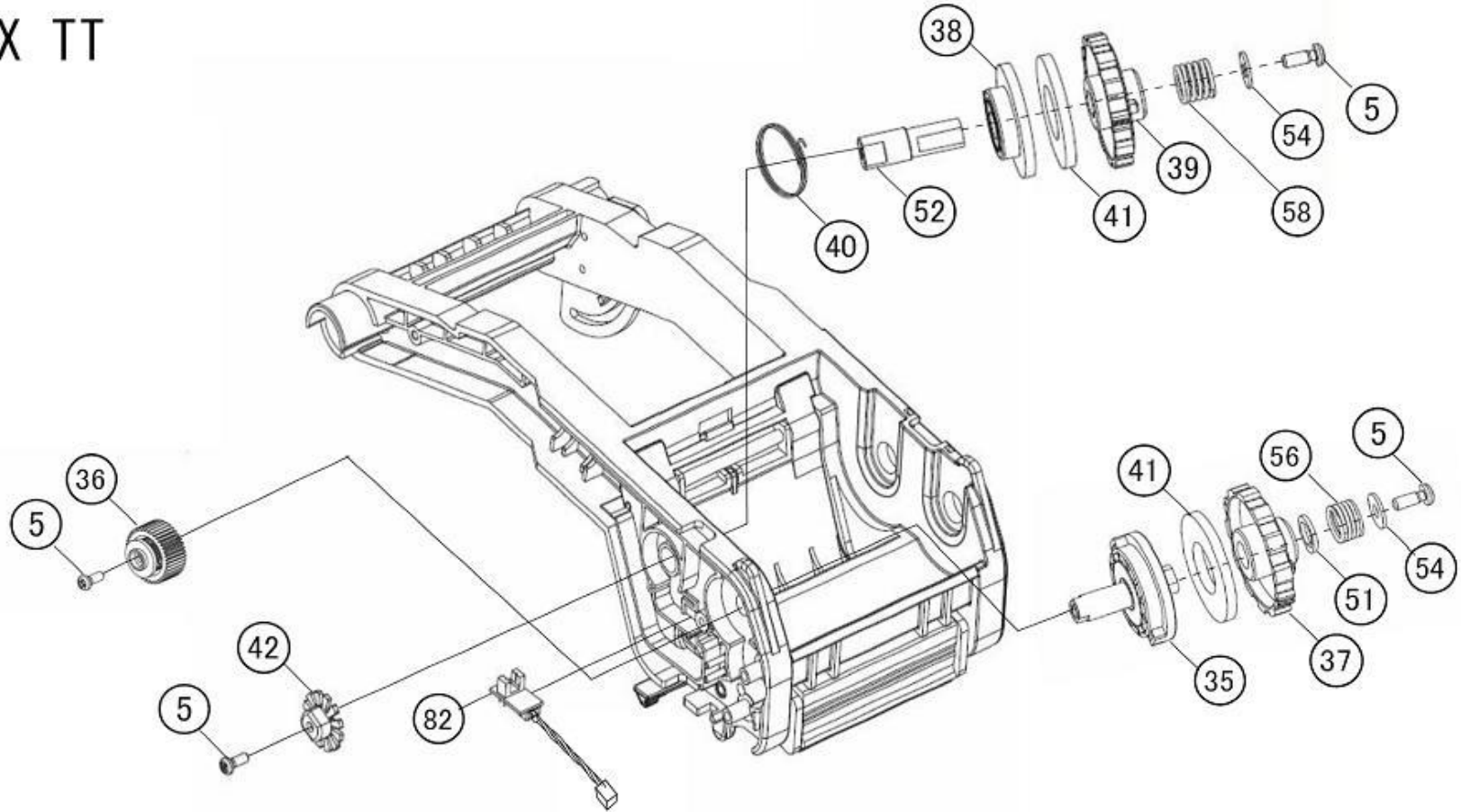
RV08-476

SATO CORPORATION . TOKYO. JAPAN



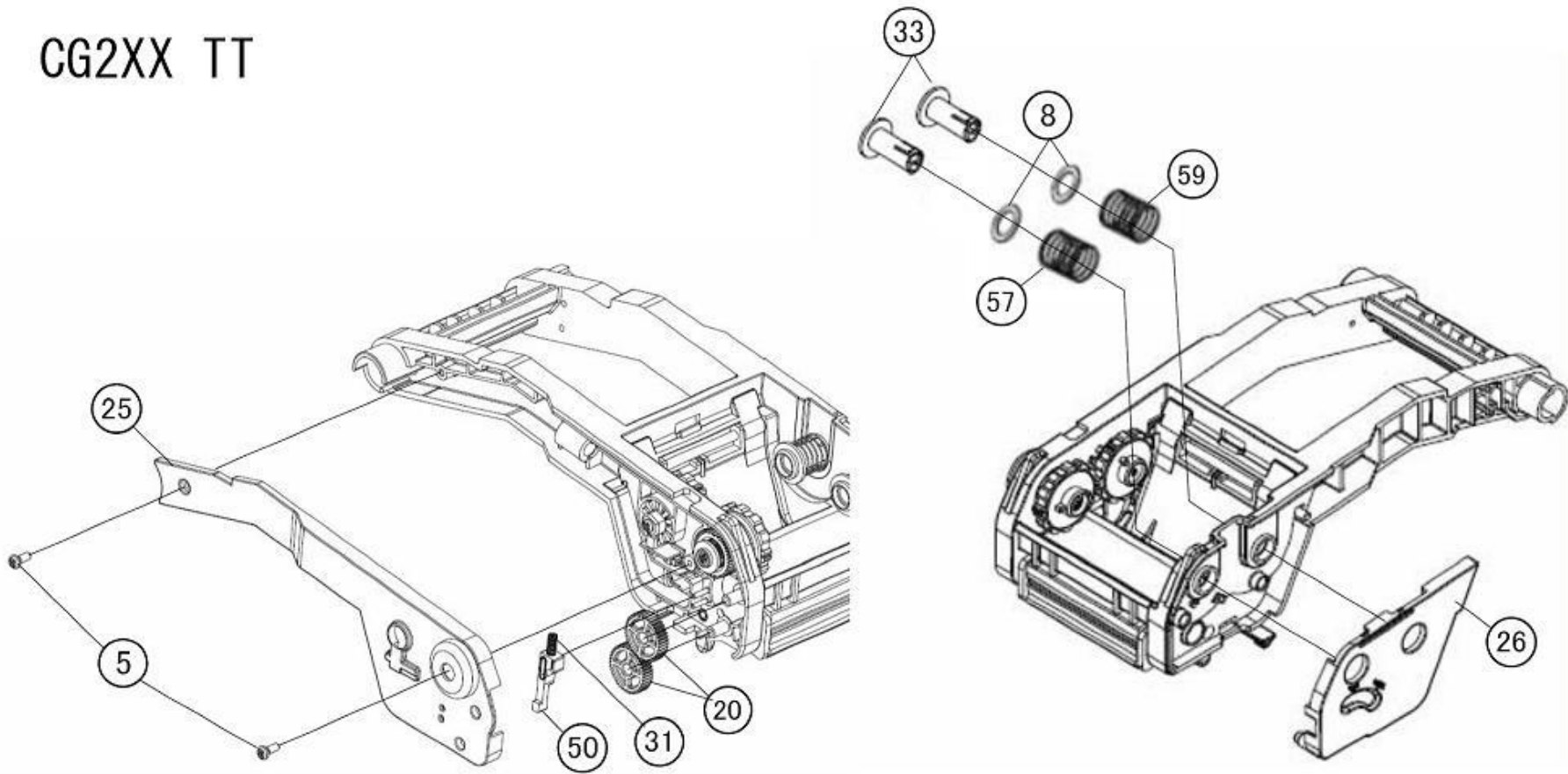
DESCRIPTION
Fig01-ASSY(01)

CG2XX TT

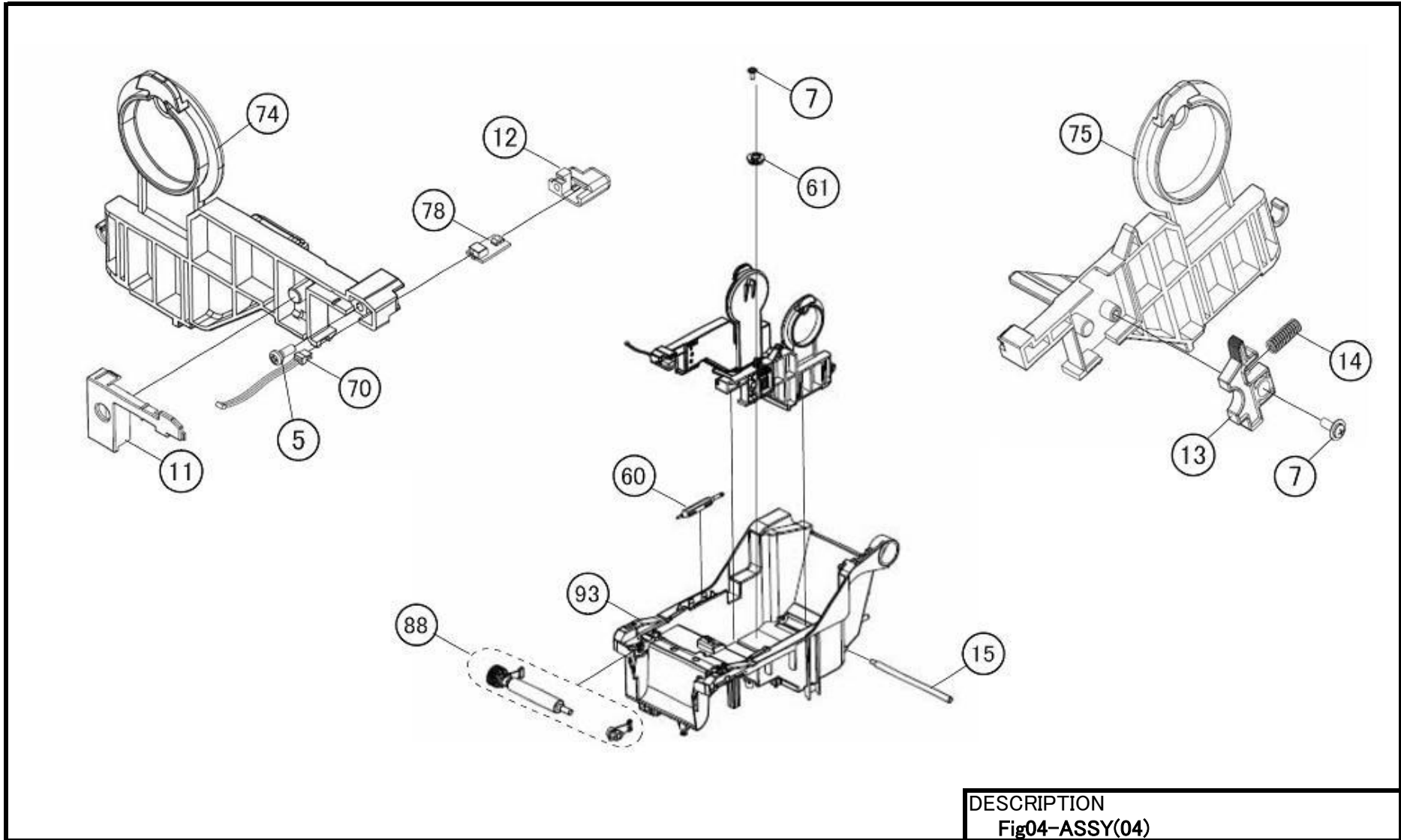


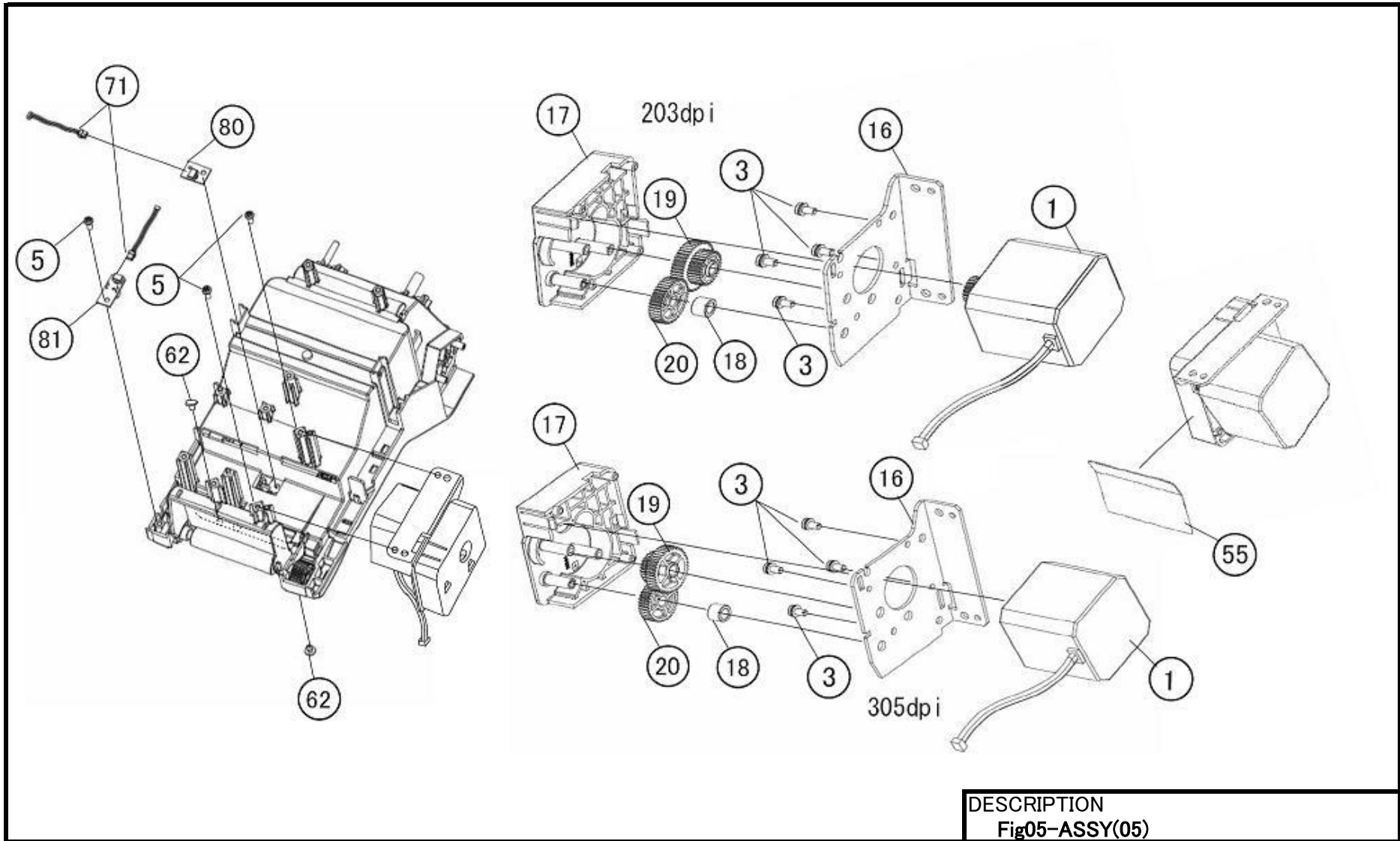
DESCRIPTION
Fig02-ASSY(02)

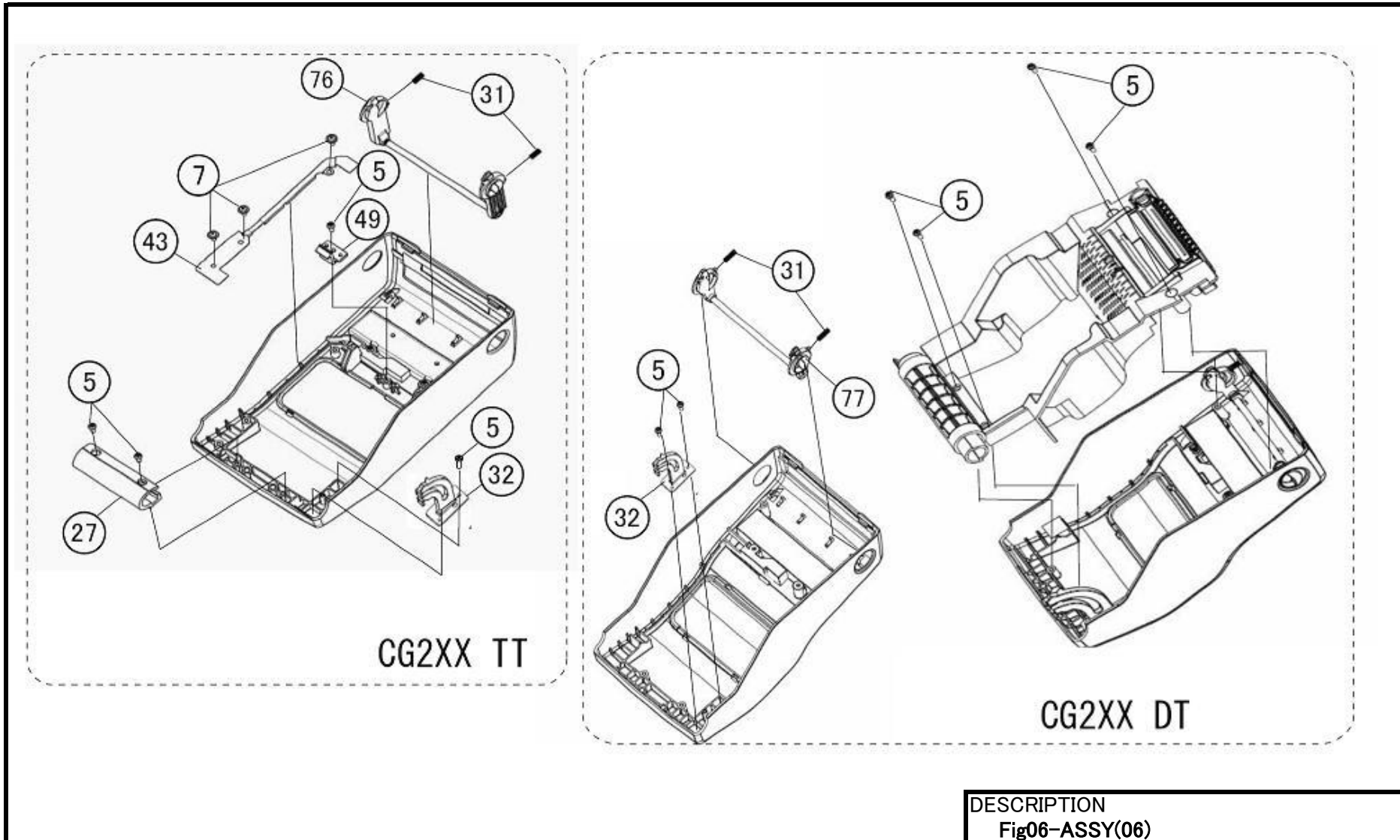
CG2XX TT

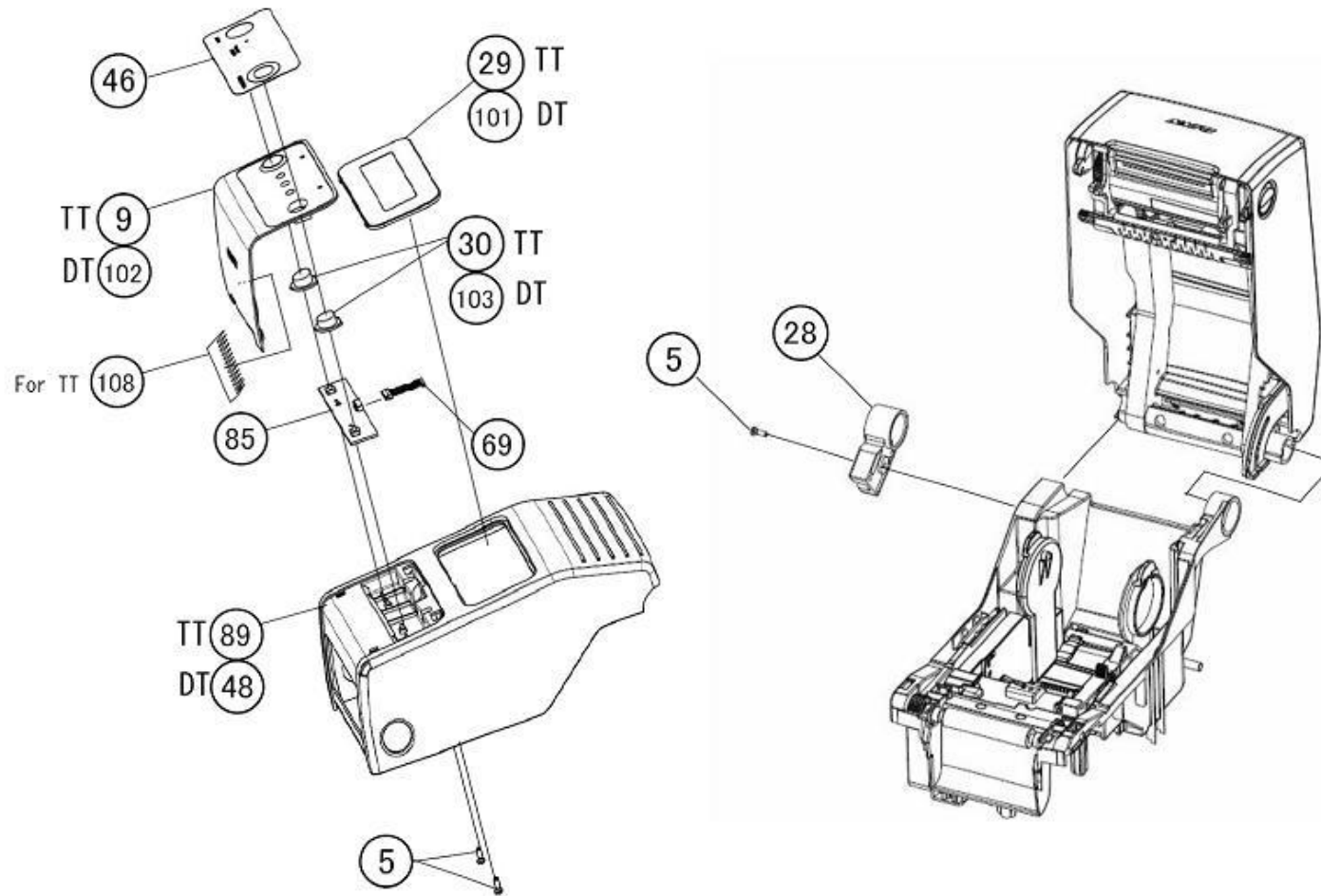


DESCRIPTION
Fig03-ASSY(03)

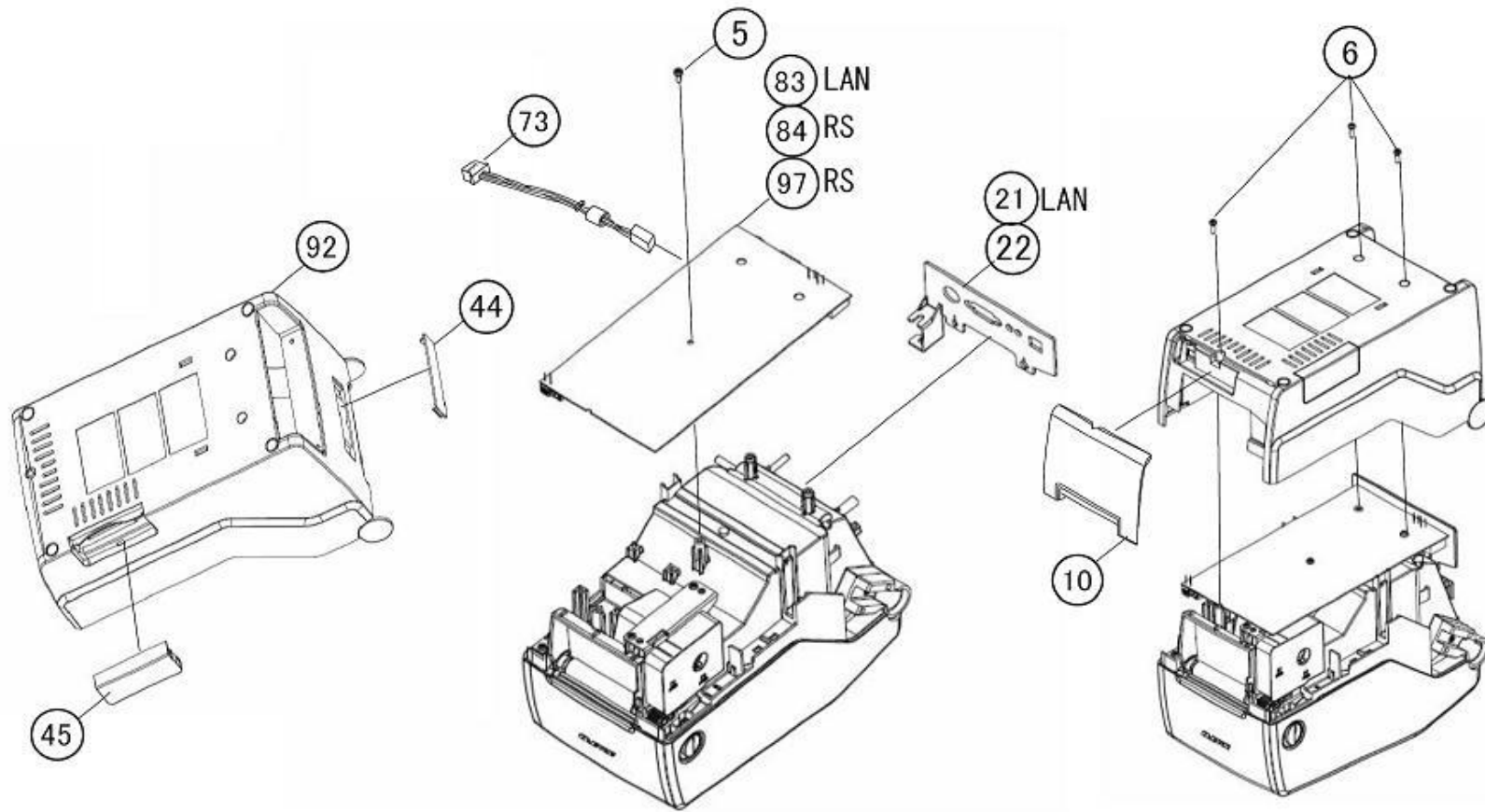




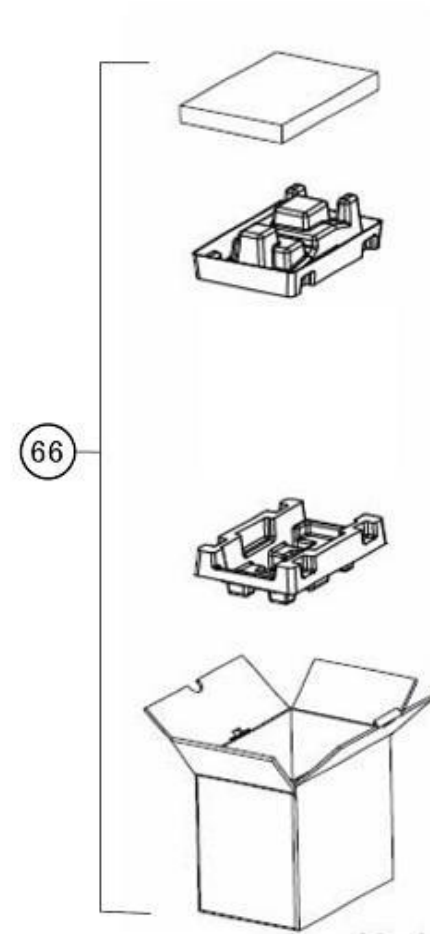
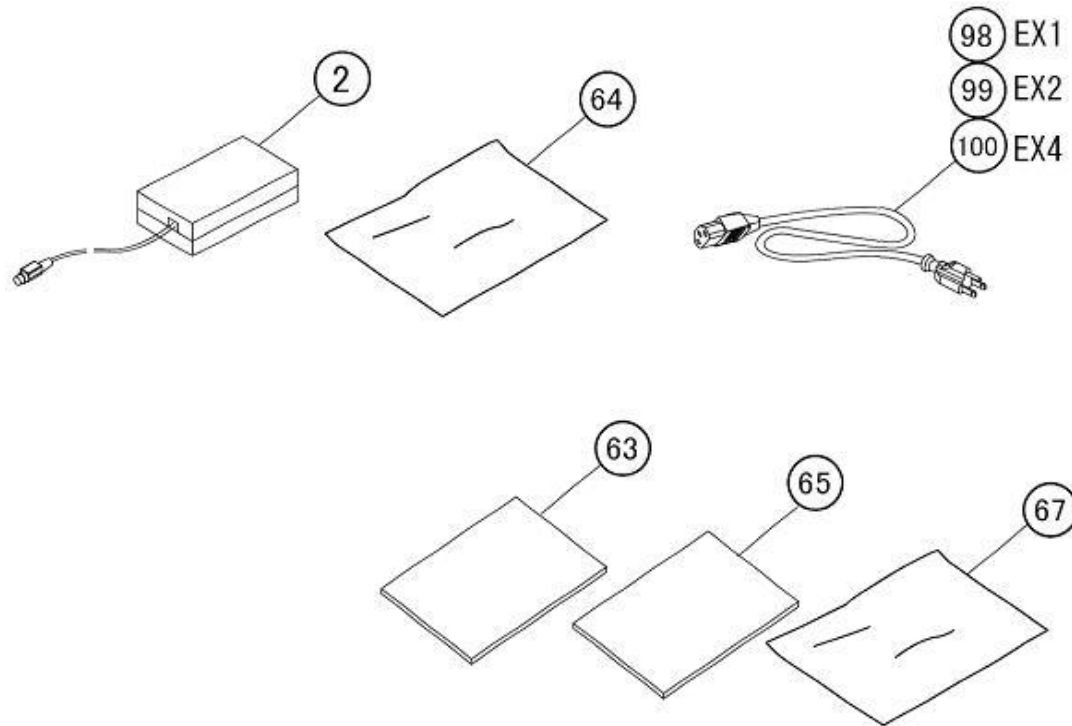




DESCRIPTION
Fig07-ASSY(07)



DESCRIPTION
Fig08-ASSY(08)



DESCRIPTION
Fig09-ASSY(09)

CG2XX SERVICE PARTS LIST

AssyName ASSY

No	First_Code	Description	Standard	Std_List Price	NOTE
1	K00271000	STEPPING MOTOR			Fig05/Recommended Spare parts
2	K00273000	AC ADAPTER(CG)-LF			Fig09/Recommended Spare parts
3	MD3300622	PAN HEAD SCREW+SW+WS			Fig05
5	MH0300822	PAN HEAD P TIGHT SCREW			Fig02,03,04,05,06,07,08
6	MH0301022	PAN HEAD P TIGHT SCREW			Fig08
7	MH9300822	PAN HEAD P TIGHT SCREW			Fig04,06
8	P22186000	POLY SLIDER			Fig03
9	P27057101	COVER FR UPPER			Fig07
10	P27059100	COVER FR LOWER			Fig08
11	P27062000	COVER (L.GUIDE LH)			Fig04
12	P27063000	SENSOR COVER(I-MARK)			Fig04
13	P27066000	GUIDE STOPPER			Fig04
14	P27067000	SPRING(G.STOPPER)			Fig04
15	P27068000	SHAFT(LABEL GUIDE)			Fig04
16	P27070000	MOTOR BRACKET			Fig05
17	P27071010	GEAR BOX			Fig05
18	P27072000	SPACER			Fig05
19	P27073000	DOUBLE GEAR(Z45*Z30)			Fig05
20	P27074000	GEAR(Z40)			Fig03,05
21	P27078000	I/F COVER(USB+LAN)			Fig08
22	P27078110	I/F COVER			Fig08
23	P27082000	SHAFT(RIBBON COVER)			Fig01
24	P27083001	SENSOR COVER (GAP)			Fig01
25	P27084000	COVER(RIBBON FRAME LH)			Fig03
26	P27085010	COVER(RIBBON FRAME RH)			Fig03
27	P27086100	COLLAR(HINGE)			Fig06
28	P27087000	SHAFT(HINGE LH)			Fig07
29	P27088010	WINDOW			Fig07
30	P27090010	BUTTON			Fig07
31	P27094000	SPRING(LOCK ARM)			Fig03,06
32	P27095000	SWING STOPPER			Fig06
33	P27101010	CORE GUIDE			Fig03
35	P27105010	TQ.LIMITER PLATE A(R)			Fig02
36	P31066000	CLUTCH-GEAR			Fig02/Recommended Spare parts
37	P27106000	TQ.LIMITER PLATE B(R)			Fig02
38	P27108000	TQ.LIMITER PLATE A(U)			Fig02
39	P27109000	TQ.LIMITER PLATE B(U)			Fig02
40	P27111010	TORSION SPRING			Fig02
41	P27112000	FELT PLATE			Fig02
42	P27113000	ENCODER			Fig02
43	P28092000	COVER (WIRING)			Fig06
44	P28350100	COVER REAR			Fig08
45	P28352000	COVER SD(LCT)			Fig08
46	P28370000	TOP SHEET (CG)			Fig07
47	P28934000	RIBBON FRAME STOPPER			Fig01

CG2XX SERVICE PARTS LIST

AssyName ASSY

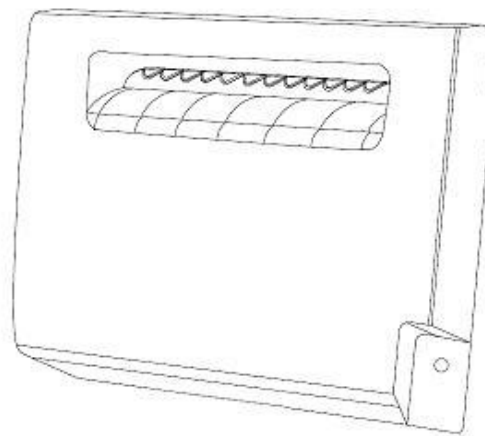
No	First_Code	Description	Standard	Std_List Price	NOTE
48	P30652000	COVER TOP(DT)			Fig07
49	P30654000	RIBBON FRM RETAINER			Fig06
50	P30661000	GEAR STOPPER			Fig03
51	P30662000	TQ.LIMITER WASHER			Fig02
52	P30663000	SHAFT(ENCODER)			Fig02
54	P31363000	WASHER(d3.3*D9*t0.8)			Fig02
55	P31441000	SHEET(MOTOR COVER)			Fig05
56	P32888000	TQ.SPRING(R)			Fig02
57	P33179000	SPRING(CORE GUIDE)(R)			Fig03
58	P33423010	TQ.SPRING(U)			Fig02
59	P33424000	SPRING(CORE GUIDE)(U)			Fig03
60	PE6A21900	MICRO DRIVER			Fig04
61	PJ0A20500	GEAR(L.GUIDE)			Fig04
62	PX0800100	NYLON RIVET			Fig01,05
63	Q01013002	GWP-LEAFLET			Fig09
64	Q01721000	POLY BAG(500*120*0.05)			Fig09
65	Q02330000	QUICK GUIDE			Fig09
66	Q02341001	PACKING SET			Fig09
67	QB2042336	CUSHION			Fig09
68	R12475003	HEAD CABLE ASSY			Fig01
69	R12476003	KB CABLE ASSY			Fig07
70	R12477004	IM CABLE ASSY			Fig04
71	R12478004	COVER GAP CABLE ASSY			Fig05
72	R12479004	RIBBON GAP CABLE ASSY			Fig01
73	R12482003	POWER CABLE ASSY			Fig08
74	R12621020	LABEL GUIDE(LH)(LCT)SET			Fig04
75	R12622020	LABEL GUIDE(RH)(LCT)SET			Fig04
76	R12623010	OPEN LEVER SET			Fig06
77	R13488000	OPEN LEVER (DT) SET			Fig06
78	R13511000	IM SENSOR PCB SET			Fig04/Recommended Spare parts
79	R13512000	GAP-U SENSOR PCB SET			Fig01/Recommended Spare parts
80	R13513000	GAP-L SENSOR PCB SET			Fig05/Recommended Spare parts
81	R13514000	COVER SENSOR PCB SET			Fig05/Recommended Spare parts
82	R13515000	RIBBON SENSOR PCB SET			Fig02/Recommended Spare parts
83	R13523000	MAIN PCB (USB+LAN) CG2XTT/DT			Fig08/Recommended Spare parts
85	R13526000	CG-KB PCB SET			Fig07/Recommended Spare parts
86	R13855020	RIBBON FRAME SET			Fig01
87	R13856000	RIBBON COVER SET			Fig01
88	R13862000	PLATEN ROLLER SUB CG2XTT/DT			Fig04/Recommended Spare parts
89	R13863000	COVER TOP SET(CG)			Fig07
90	R13864000	PRINT HEAD (8 DPMM) CG208TT			Fig01/Recommended Spare parts
91	R13865000	PRINT HEAD (12 DPMM) CG212TT			Fig01/Recommended Spare parts
92	R13866010	COVER BOTTOM SA			Fig08
93	R13867020	BOTTOM FRAME SET(CG)			Fig04
94	R13868000	TOP FRAME SET			Fig01

CG2XX SERVICE PARTS LIST

AssyName ASSY

No	First_Code	Description	Standard	Std_List Price	NOTE
95	R13869000	PRINT HEAD (8 DPMM) CG208DT			Fig01/Recommended Spare parts
96	R13870000	PRINT HEAD (12 DPMM) CG212DT			Fig01/Recommended Spare parts
97	R14660001	MAIN PCB (USB+RS232C) CG2XXTT/DT EX2.4.6			Fig08/Recommended Spare parts
98	H00328001	POWER CORD			Fig09
99	H00329000	POWER CORD			Fig09
100	H00360001	POWER CODE			Fig09
101	P30656000	WINDOW(DT)			Fig07
102	P30657000	COVER FR UPPER(DT)			Fig07
103	P30658010	BUTTON(DT)			Fig07
104	P30666000	SPRING(HEAD)(DT)			Fig01
105	P30665000	HEAD SPRING POST			Fig01
106	P30667000	RETAINER			Fig01
107	P30668000	HEAD REMOVE LEVER			Fig01
108	P10285000	ANTI STATIC SHEET			Fig07

CG2XX CUTTER KIT SERVICE PARTS LIST

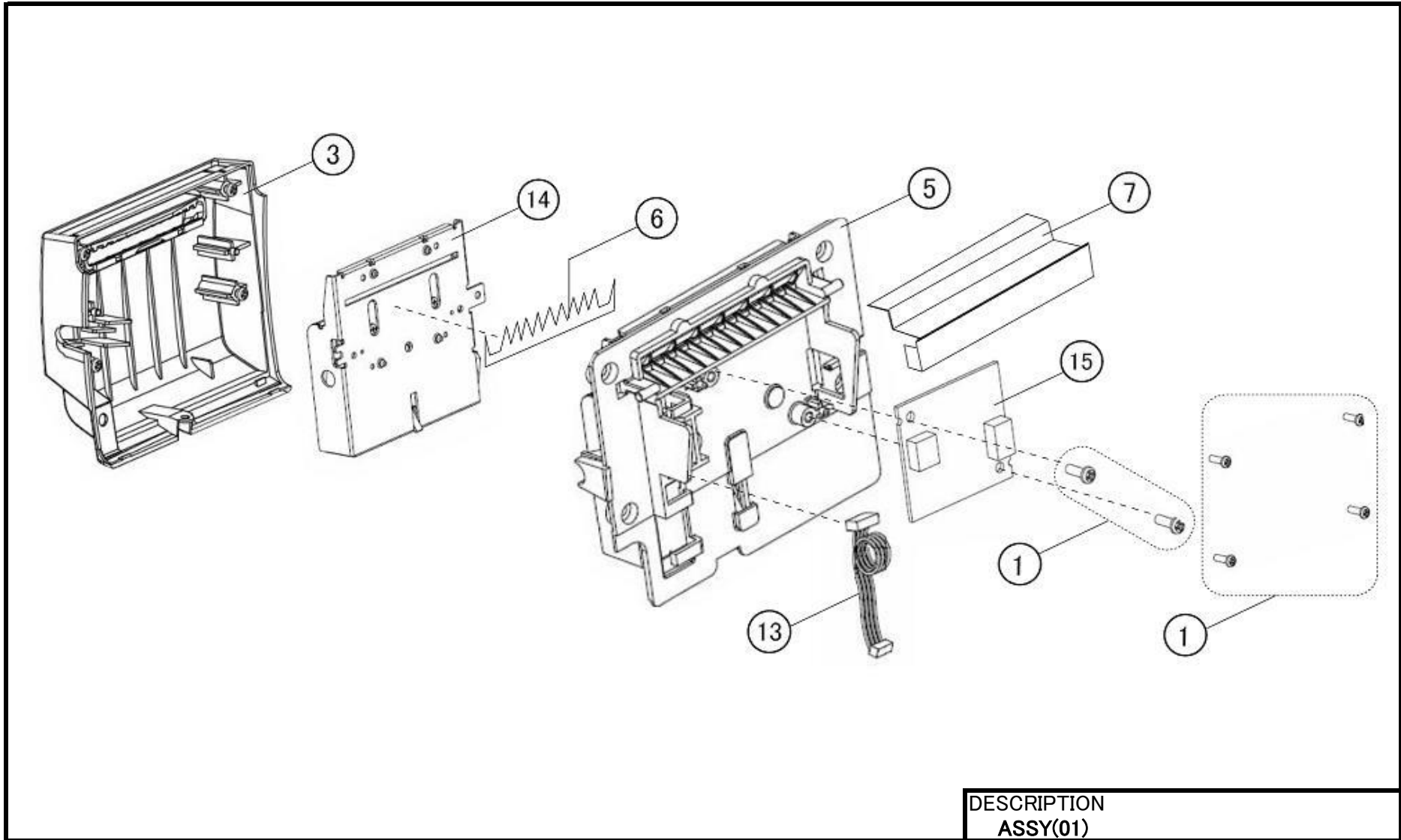


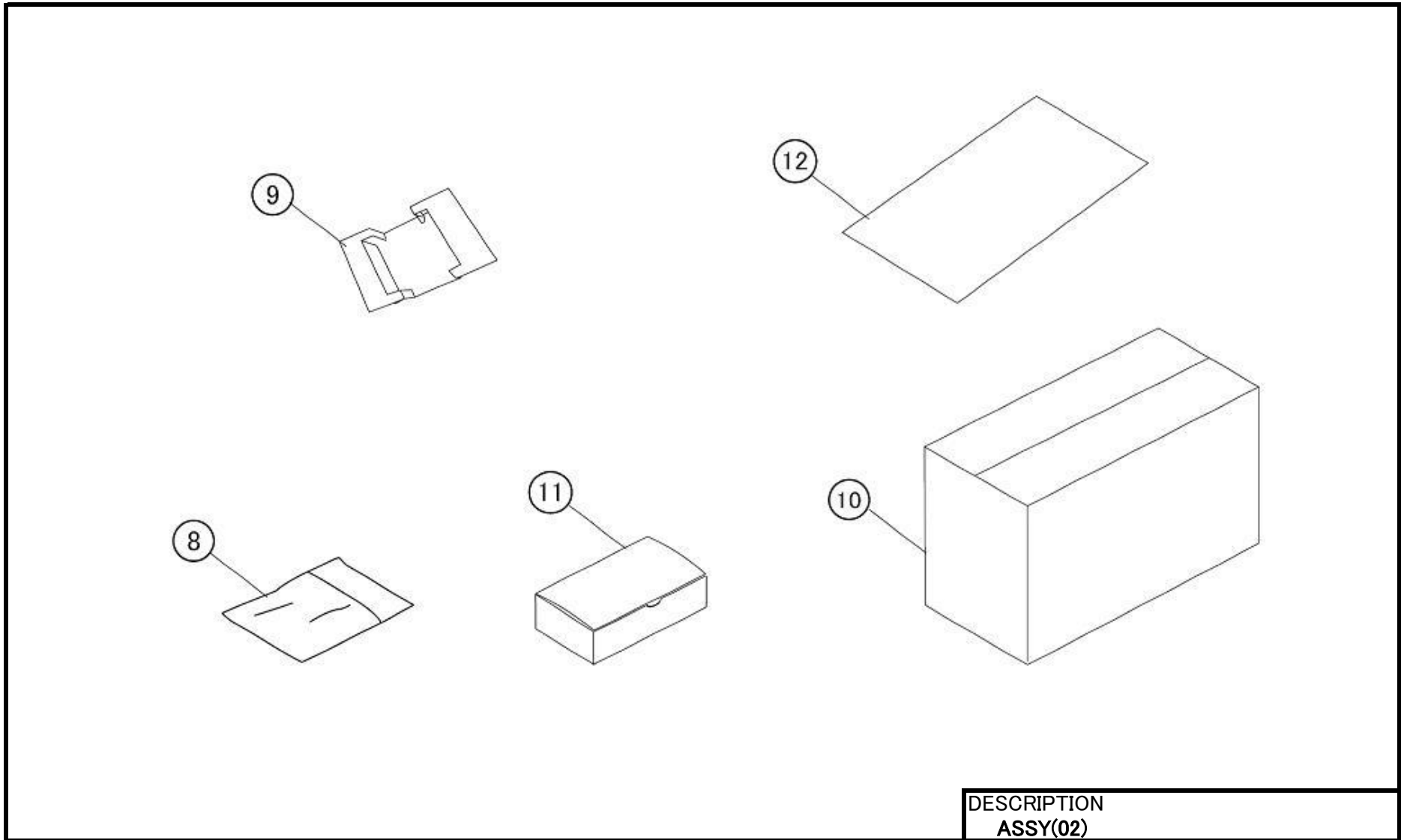
Create Date:

WWCG25100

RV08-476

SATO CORPORATION . TOKYO. JAPAN



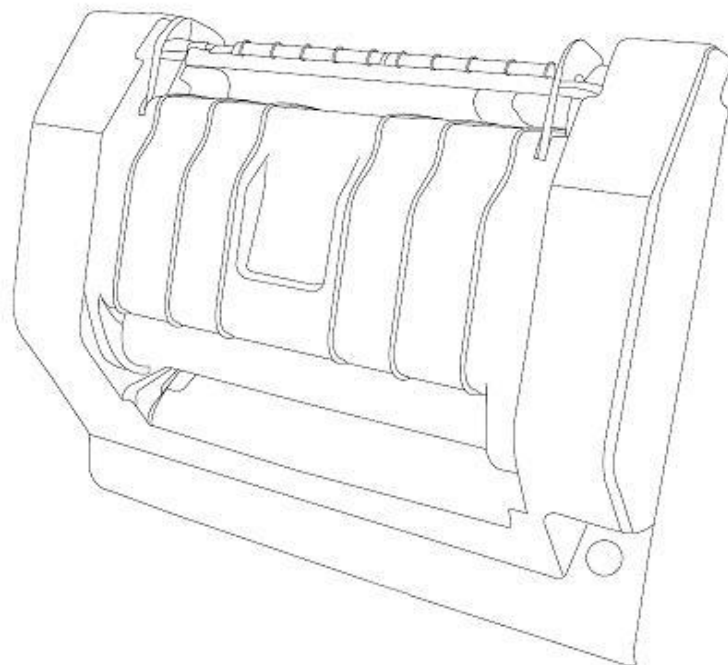


CG2XX CUTTER KIT SERVICE PARTS LIST

AssyName ASSY

No	First_Code	Description	Standard	Std_List Price	NOTE
1	MH0300822	PAN HEAD P TIGHT SCREW			Fig01
3	P28930120	CT COVER(FRONT)			Fig01
5	P28931110	CT COVER(REAR)			Fig01
6	P31360000	ANTI STATIC SHEET			Fig01
7	P32717000	CT PCB COVER			Fig01
8	Q02236000	AIR PACKING BAG			Fig02
9	Q02654000	SLEEVE			Fig02
10	QA0A20201	P.CASE(OPTION20)			Fig02
11	QA0A20301	P.CASE(OPTION)			Fig02
12	QA0A20400	CARTON PAD			Fig02
13	R12480003	CUTTER CABLE ASSY			Fig01
14	R13447000	CUTTER UNIT			Fig01/Recommended Spare Parts
15	R13520001	CUTTER PCB SET			Fig01/Recommended Spare Parts

CG2XX DISPENSER KIT SERVICE PARTS LIST

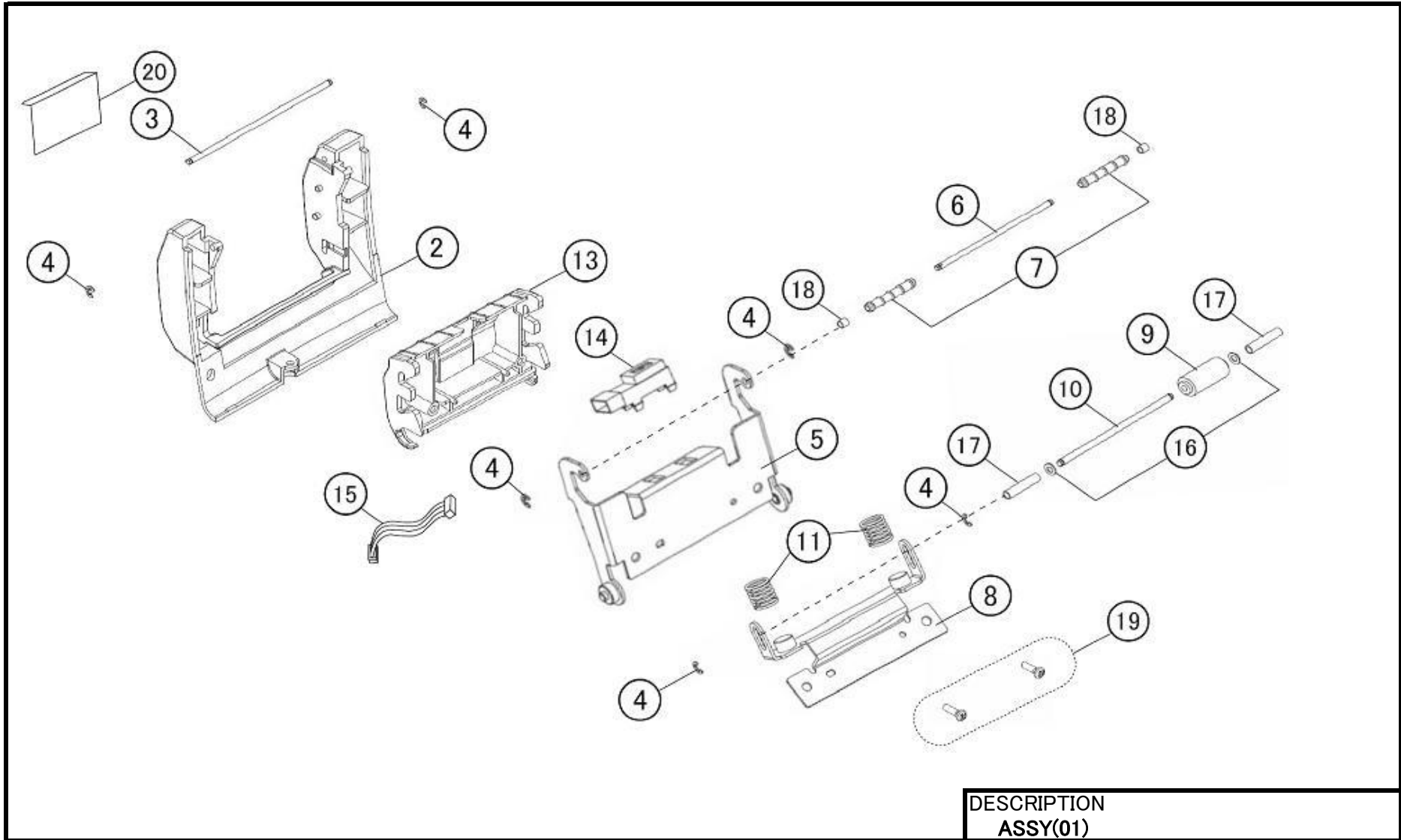


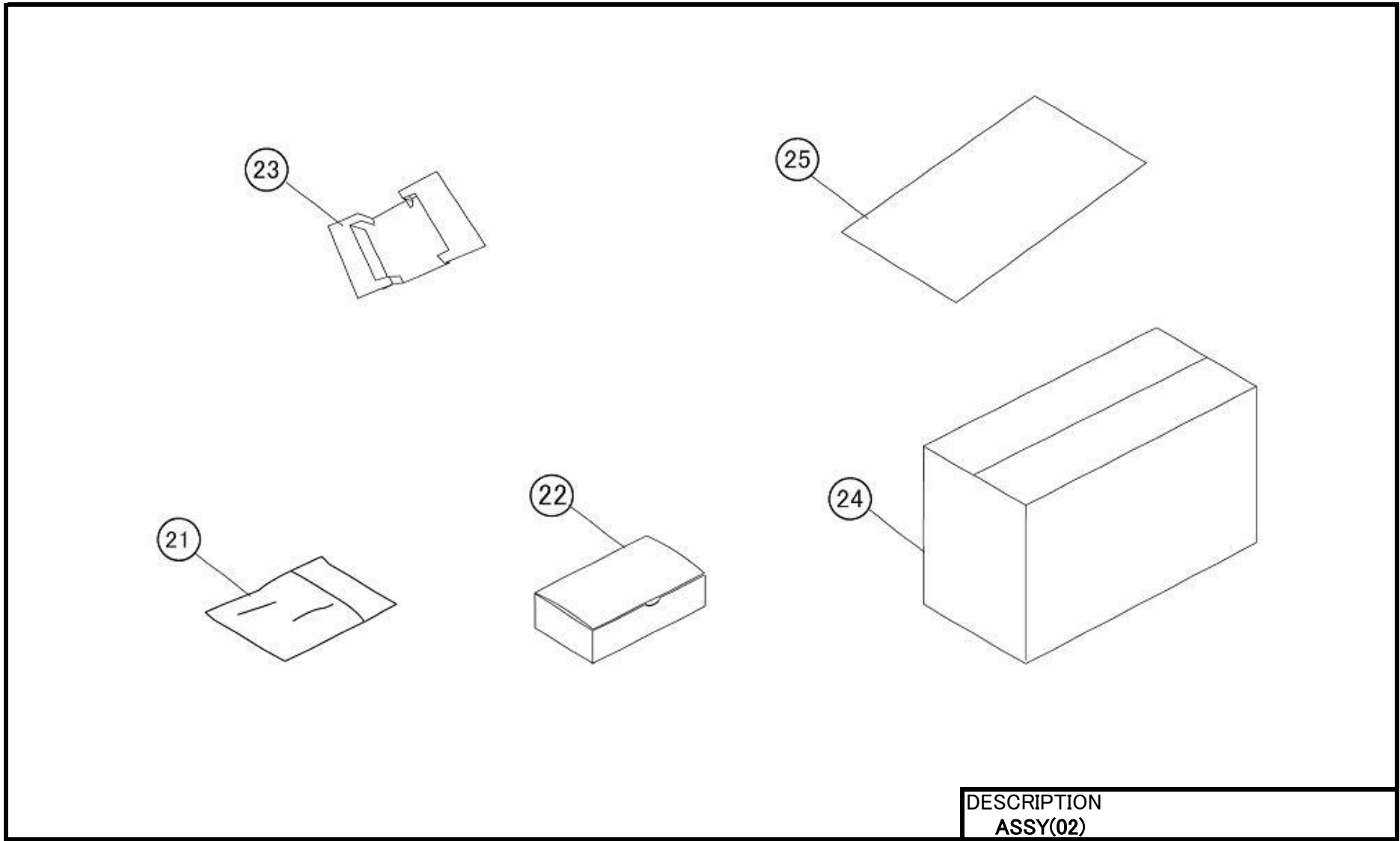
Create Date:

WWCG25200

RV08-476

SATO CORPORATION . TOKYO. JAPAN





DESCRIPTION ASSY(02)

CG3XX DISPENSER KIT SERVICE PARTS LIST

AssyName ASSY

No	First_Code	Description	Standard	Std_List Price	NOTE
2	P29614130	DISPENSE FRAME			Fig01
3	P29186000	SEPARATE SHAFT			Fig01
4	ND0020030	E SNAP RING			Fig01
5	R13669000	HINGE BRACKET SET			Fig01
6	P31132000	SHAFT(PRESS ROLLER)			Fig01
7	PE1A20000	DEMAND ROLLER(B)			Fig01
8	R13668000	NIP BRACKET SET			Fig01
9	P29609000	NIP ROLLER			Fig01
10	P29196000	NIP ROLLER SHAFT			Fig01
11	P29604000	SPRING (NIP SHAFT)			Fig01
13	P29613110	DISPENSE COVER			Fig01
14	F00407000	PHOTO INTERRUPTER -LF			Fig01/Recommended Spare Parts
15	R12481003	DISPENSER CABLE ASSY			Fig01
16	NA0030030	PLAIN WASHER			Fig01
17	P32106000	SPACER			Fig01
18	P32107000	SPACER			Fig01
19	MH0301022	PAN HEAD P TIGHT SCREW			Fig01
20	P34569000	SHEET(DISP)			Fig01
21	Q02236000	AIR PACKING BAG			Fig02
22	QA0A20301	P.CASE(OPTION)			Fig02
23	Q02654000	SLEEVE			Fig02
24	QA0A20201	P.CASE(OPTION20)			Fig02
25	QA0A20400	CARTON PAD			Fig02